

CAC3 Series

CHOGORI

CAC3 Series Specifications

CAC3 Series(Rotary latch-Type)

Description

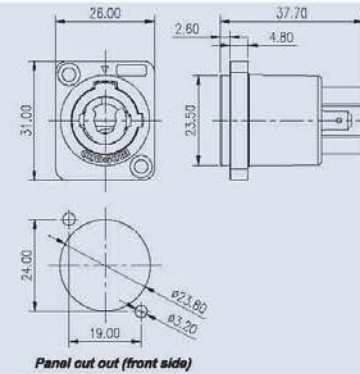
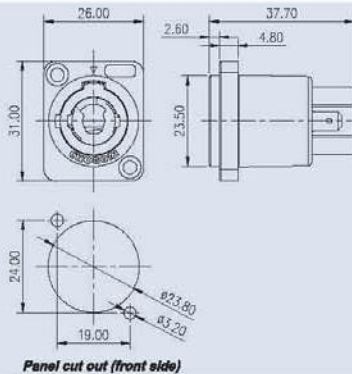
3 PIN Power CON Jack
Power-in (blue)

3 PIN Power CON Jack
Power-out (grey)

Figure



Drawing



Part Number

Contacts	Panel thickness	Part Number	Contacts	Panel thickness	Part Number
3	≥2mm	16003631-01	3	≥2mm	16003631-02

Specifications

Number of Contacts	3
Wire Gauge	14-12AWG
Panel thickness	≥2mm
Environmental Protection	IP67
Mechanical Life	≥ 1000 mating cycles
Operating Temperature	- 40°C - +80°C
Withstand Voltage	≥ AC 2500V / 1Minute
Voltage Rating	250 V AC
Contact Resistance	≤3mΩ
Insulation Resistance	≥100MΩ
Rated Current (40°C)	20 A