



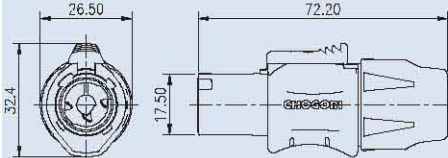
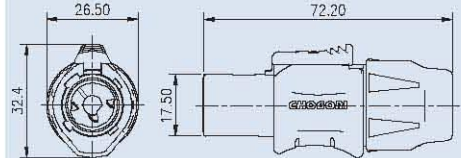
CAC3 Series

CHOGORI

CAC3 Series Specifications

CAC3 Series(Rotary latch-Type)

Description	3 PIN Power CON Ass'y Type plug Power-in (blue)	3 PIN Power CON Ass'y Type plug Power-out (grey)
Figure		

Drawing		
---------	--	---

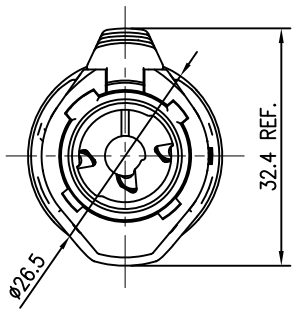
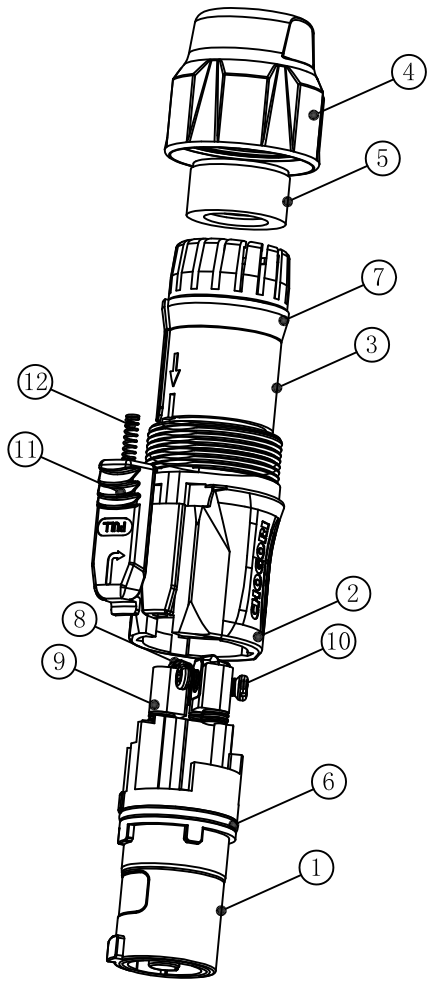
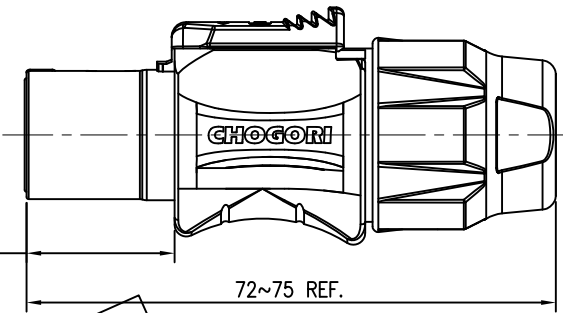
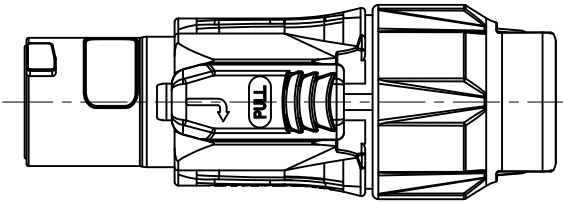
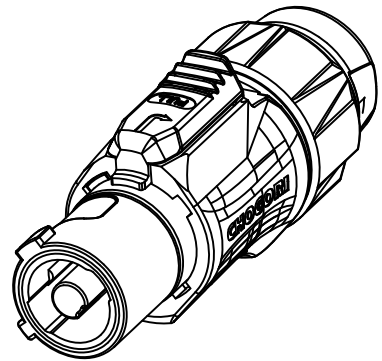
Part Number	Contacts	Cable Range(mm)	Part Number	Contacts	Cable Range(mm)	Part Number
	3	7.0 - 14.0	16003131-01	3	7.0 - 14.0	16003131-02

Specifications

Number of Contacts	3
Wire Gauge	14-12AWG
Cable Range	7mm - 14mm
Environmental Protection	IP67
Mechanical Life	≥ 1000 mating cycles
Operating Temperature	- 40°C - +80°C
Withstand Voltage	≥ AC 2500V / 1Minute
Voltage Rating	250 V AC
Contact Resistance	≤ 3mΩ
Insulation Resistance	≥ 100MΩ
Rated Current (40°C)	20 A

REV.	ECN NO.	DESCRIPTION	SIGN	DATE
D1	N/A	Initial Drawing	Leo.Pan	2014/12/03

THIS INFORMATION IS CONFIDENTIAL AND IS DISCLOSED TO YOU IN ACCORDANCE WITH THE TERMS AND CONDITIONS OF YOUR AGREEMENT WITH CHOGORI CORP. ANY DISCLOSURE OF THIS INFORMATION TO OTHER THAN CHOGORI PERSONNEL WITHOUT FURTHER ASSOCIATION WITH CHOGORI CORP. IS STRICTLY PROHIBITED.



THIS PRINT IS
PRELIMINARY
 UNQUALIFIED PRODUCT
 DESIGN IS SUBJECT TO
 CHANGE WITHOUT NOTICE

Specification:
 1.Rated Voltage:250V
 2.Rated Current:20A
 3.Operation temperature: -40°C~80°C.
 4.Insulation resistance:100MΩ at DC500V.
 5.Contact resistance:<3mΩ.
 6.Waterproof: IP65.

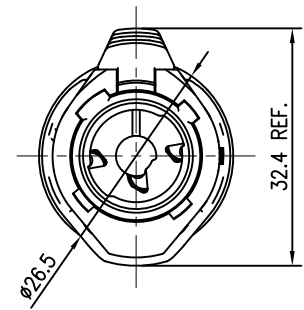
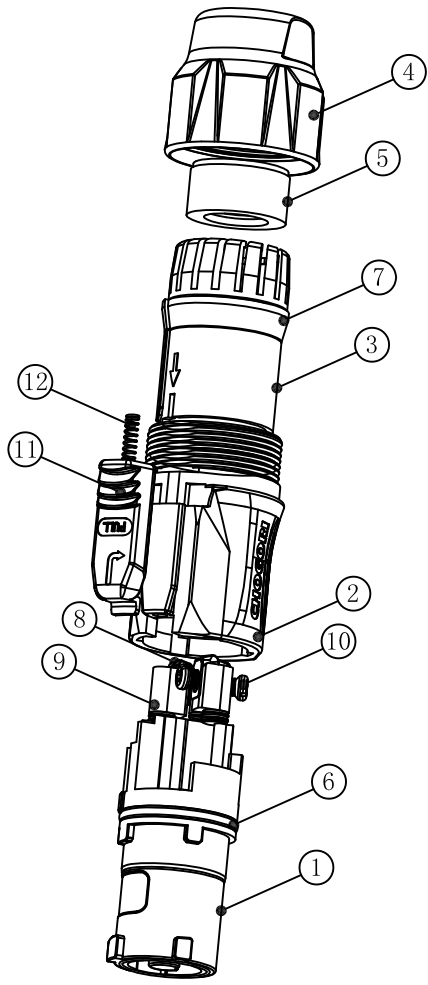
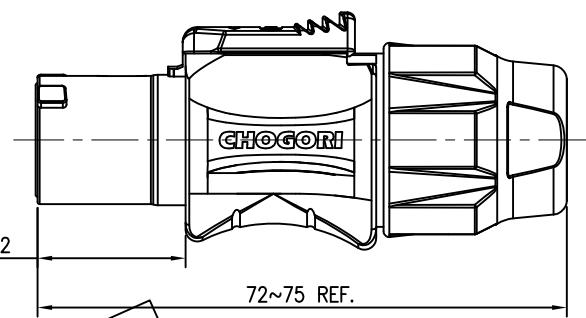
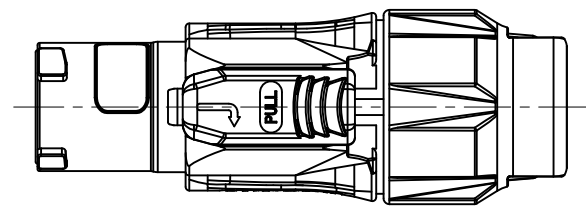
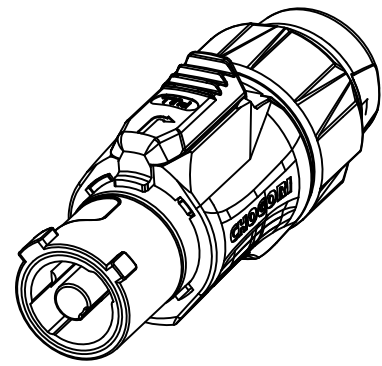
Material List				
No.	Material No.	Q'ty	Material Description	Remark
1	Housing	1	PA66 Grey	
2	Cover	1	PA66 Grey	
3	Octopussy	1	PA66 Black	
4	Nut	1	PA66 Grey	
5	Waterproof ring	1	Silicon Black	
6	Waterproof ring	1	Silicon Black	
7	Waterproof ring	1	Silicon Black	
8	Termination Press-ray	1	Brass	
9	Terminal	3	Brass	
10	Screw M3 * 7.00mm	1	Stainless Steel Black	
11	Switch	1	Nickel-plated zinc alloy	
12	Spring	1	Spring steel	

UNIT:mm		DESCRIPTION 3-pin power connector plug inputs (grey)	
TOLERANCE		SCALE. N/A	SHEET 1 OF 1
.X ±0.25		REV. D1	SIZE A4
.XX ±0.15		* Inspection Item	
.XXX ±0.05			
ANGLES ±1°			



PART NO	16003131-02	DRAWN BY	Leo.Pan	DATE	2014/12/03
DWG NO	-	CHECKED BY		DATE	
CUSTOMER	-	APPROVED BY		DATE	

REV.	ECN NO.	DESCRIPTION	SIGN	DATE
D1	N/A	Initial Drawing	Leo.Pan	2014/12/03



THIS PRINT IS
PRELIMINARY
 UNQUALIFIED PRODUCT
 DESIGN IS SUBJECT TO
 CHANGE WITHOUT NOTICE

Specification:
 1.Rated Voltage:250V
 2.Rated Current:20A
 3.Operation temperature: -40°C~80°C.
 4.Insulation resistance:100MΩ at DC500V.
 5.Contact resistance:<3mΩ.
 6.Waterproof: IP65.

Material List				
No.	Material No.	Q'ty	Material Description	Remark
1	Housing	1	PA66 Blue	
2	Cover	1	PA66 Blue	
3	Octopussy	1	PA66 Black	
4	Nut	1	PA66 Blue	
5	Waterproof ring	1	Silicon Black	
6	Waterproof ring	1	Silicon Black	
7	Waterproof ring	1	Silicon Black	
8	Termination Press-ray	1	Brass	
9	Terminal	3	Brass	
10	Screw M3 * 7.00mm	1	Stainless Steel Black	
11	Switch	1	Nickel-plated zinc alloy	
12	Spring	1	Spring steel	

UNIT:mm		DESCRIPTION 3-pin power connector plug inputs (blue)	
TOLERANCE	.X ±0.25 .XX ±0.15 .XXX ±0.05 ANGLES ±1°	SCALE. N/A	SHEET 1 OF 1
REV. D1	SIZE A4	* Inspection Item	



PART NO	16003131-01	DRAWN BY	Leo.pan	DATE	2014/12/03
DWG NO	-	CHECKED BY		DATE	
CUSTOMER	-	APPROVED BY		DATE	

THIS INFORMATION IS CONFIDENTIAL AND IS DISCLOSED TO YOU ON CONDITION THAT NO FURTHER DISCLOSURE IS MADE BY YOU TO OTHER THAN CHOGORI PERSONNEL WITHOUT FURTHER DISCLOSURE IS MADE BY YOU TO OTHER THAN CHOGORI PERSONNEL WITHOUT AUTHORIZATION FROM CHOGORI CORP.