


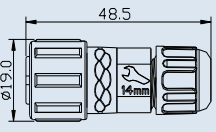
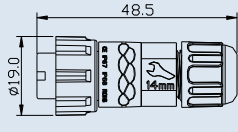
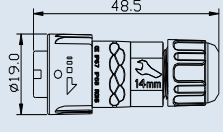


STANDARD SERIES

CHOGORI

Standard Series Specifications

Standard Series, Male Connector & Male Pin

Description	Field Installable, 180° Screw Type, Solder	Field Installable, 180° Lock Bayonet Type, Solder	Field Installable, 180° Push Lock Type, Solder
Figure			
Drawing			

Part Number	Screw Type			Lock Bayonet Type			Push Lock Type		
	Contacts	Cable Range(mm)	Part Number	Contacts	Cable Range(mm)	Part Number	Contacts	Cable Range(mm)	Part Number
	2	3.5 - 6.8	22002111-01	2	3.5 - 6.8	22002121-01	2	3.5 - 6.8	22002131-01
	3	3.5 - 6.8	22003111-01	3	3.5 - 6.8	22003121-01	3	3.5 - 6.8	22003131-01
	4	3.5 - 6.8	22004111-01	4	3.5 - 6.8	22004121-01	4	3.5 - 6.8	22004131-01
	5	3.5 - 6.8	22005111-01	5	3.5 - 6.8	22005121-01	5	3.5 - 6.8	22005131-01
	6	3.5 - 6.8	22006111-01	6	3.5 - 6.8	22006121-01	6	3.5 - 6.8	22006131-01
	2+4	3.5 - 6.8	22204111-01	2+4	3.5 - 6.8	22204121-01	2+4	3.5 - 6.8	22204131-01
	2+6	3.5 - 6.8	22206111-01	2+6	3.5 - 6.8	22206121-01	2+6	3.5 - 6.8	22206131-01

Specifications

Number of Contacts	2	3	4	5	6	2+4	2+6
Wire Gauge	0.823mm ² (18AWG)			0.519mm ² (20AWG)		0.823mm ² (18AWG)*2C 0.34mm ² (22AWG)*4C	0.519mm ² (20AWG)*2C 0.34mm ² (22AWG)*6C
Cable Range	3.5mm - 6.8mm						
Environmental Protection	IP68			IP67			IP67
Mechanical Life	500 mating cycles						
Operating Temperature	- 45°C - 105°C						
Voltage Rating	300V	300V	125V	60V	60V	60V	30V
Rated Current (40°C)	10A	10A	10A	5A	5A	10A+2A	5A+2A

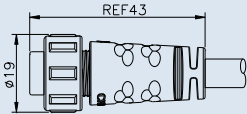
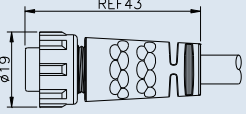
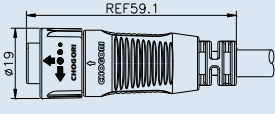
STANDARD SERIES

CHOGORI

Standard Series Specifications

Standard Series, Male Connector & Male Pin

Description	Molded with Cable, 180° Screw Type, Solder	Molded with Cable, 180° Lock Bayonet Type, Solder	Molded with Cable, 180° Push Lock Type, Solder
Figure			

Drawing			
---------	---	--	---

Part Number	Screw Type			Lock Bayonet Type			Push Lock Type		
	Contacts	Cable Range(mm)	Part Number	Contacts	Cable Range(mm)	Part Number	Contacts	Cable Range(mm)	Part Number
	2	Max. 9.0	22002113-01-XXX	2	Max. 9.0	22002123-01-XXX	2	Max. 9.0	22002133-01-XXX
	3	Max. 9.0	22003113-01-XXX	3	Max. 9.0	22003123-01-XXX	3	Max. 9.0	22003133-01-XXX
	4	Max. 9.0	22004113-01-XXX	4	Max. 9.0	22004123-01-XXX	4	Max. 9.0	22004133-01-XXX
	5	Max. 9.0	22005113-01-XXX	5	Max. 9.0	22005123-01-XXX	5	Max. 9.0	22005133-01-XXX
	6	Max. 9.0	22006113-01-XXX	6	Max. 9.0	22006123-01-XXX	6	Max. 9.0	22006133-01-XXX
	2+4	Max. 9.0	22204113-01-XXX	2+4	Max. 9.0	22204123-01-XXX	2+4	Max. 9.0	22204133-01-XXX
	2+6	Max. 9.0	22206113-01-XXX	2+6	Max. 9.0	22206123-01-XXX	2+6	Max. 9.0	22206133-01-XXX

Specifications




Number of Contacts	2	3	4	5	6	2+4	2+6
Wire Gauge	0.823mm ² (18AWG)			0.519mm ² (20AWG)		0.823mm ² (18AWG)*2C 0.34mm ² (22AWG)*4C	0.519mm ² (20AWG)*2C 0.34mm ² (22AWG)*6C
Cable Range	Max. 9.0 mm						
Environmental Protection	IP67			IP67			IP67
Mechanical Life	500 mating cycles						
Operating Temperature	- 40°C - 80°C						
Voltage Rating	300V	300V	125V	60V	60V	60V	30V
Rated Current (40°C)	10A	10A	10A	5A	5A	10A+2A	5A+2A

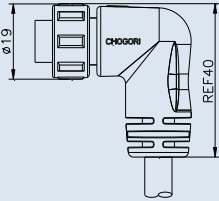
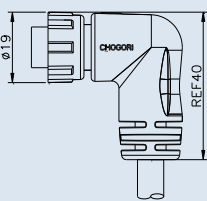
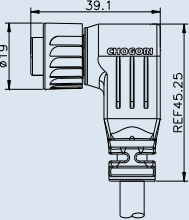
STANDARD SERIES

CHOGORI

Standard Series Specifications

Standard series, Male connector & Male Pin

Description	Molded with Cable, 90° Screw Type, Solder	Molded with Cable, 90° Lock Bayonet Type, Solder	Molded with Cable, 90° Push Lock Type, Solder
Figure			

Drawing			
---------	---	---	---

Part Number	Contacts	Cable Range(mm)	Part Number	Contacts	Cable Range(mm)	Part Number	Contacts	Cable Range(mm)	Part Number
		2	Max. 9.0	22002114-01-XXX	2	Max. 9.0	22002124-01-XXX	2	Max. 9.0
	3	2200311401-XXX		3	22003124-01-XXX		3	22003134-01-XXX	
	4	22004114-01-XXX		4	22004124-01-XXX		4	22004134-01-XXX	
	5	22005114-01-XXX		5	22005124-01-XXX		5	22005134-01-XXX	
	6	22006114-01-XXX		6	22006124-01-XXX		6	22006134-01-XXX	
	2+4	22204114-01-XXX		2+4	22204124-01-XXX		2+4	22204134-01-XXX	
	2+6	22206114-01-XXX		2+6	22206124-01-XXX		2+6	22206134-01-XXX	

Specifications									
Number of Contacts	2	3	4	5	6	2+4	2+6		
Wire Gauge	0.823mm ² (18AWG)			0.519mm ² (20AWG)		0.823mm ² (18AWG)*2C 0.34mm ² (22AWG)*4C		0.519mm ² (20AWG)*2C 0.34mm ² (22AWG)*6C	
Cable Range	Max. 9.0 mm								
Environmental Protection	IP67			IP67			IP67		
Mechanical Life	500 mating cycles								
Operating Temperature	- 40°C - 80°C								
Voltage Rating	300V	300V	125V	60V	60V	60V	30V		
Rated Current (40°C)	10A	10A	10A	5A	5A	10A+2A	5A+2A		

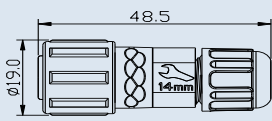
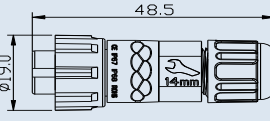
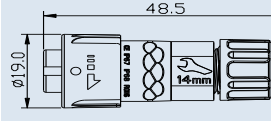
STANDARD SERIES

CHOGORI

Standard Series Specifications

Standard Series, Male Connector & Female Pin

Description	Field Installable, 180° Screw Type, Solder	Field Installable, 180° Lock Bayonet Type, Solder	Field Installable, 180° Push Lock Type, Solder
Figure			

Drawing			
---------	---	--	---

Part Number	Screw Type			Lock Bayonet Type			Push Lock Type		
	Contacts	Cable Range(mm)	Part Number	Contacts	Cable Range(mm)	Part Number	Contacts	Cable Range(mm)	Part Number
	2	3.5 - 6.8	22002211-01	2	3.5 - 6.8	22002221-01	2	3.5 - 6.8	22002231-01
	3	3.5 - 6.8	22003211-01	3	3.5 - 6.8	22003221-01	3	3.5 - 6.8	22003231-01
	4	3.5 - 6.8	22004211-01	4	3.5 - 6.8	22004221-01	4	3.5 - 6.8	22004231-01
	5	3.5 - 6.8	22005211-01	5	3.5 - 6.8	22005221-01	5	3.5 - 6.8	22005231-01
	6	3.5 - 6.8	22006211-01	6	3.5 - 6.8	22006221-01	6	3.5 - 6.8	22006231-01
	2+4	3.5 - 6.8	22204211-01	2+4	3.5 - 6.8	22204221-01	2+4	3.5 - 6.8	22204231-01
	3+4	3.5 - 6.8	22304211-01	3+4	3.5 - 6.8	22304221-01	3+4	3.5 - 6.8	22304231-01
	8	3.5 - 6.8	22008211-01	8	3.5 - 6.8	22008221-01	8	3.5 - 6.8	22008231-01
	10	3.5 - 6.8	22010211-01	10	3.5 - 6.8	22010221-01	10	3.5 - 6.8	22010231-01
	12	3.5 - 6.8	22012211-01	12	3.5 - 6.8	22012221-01	12	3.5 - 6.8	22012231-01




Specifications											
Number of Contacts	2	3	4	5	6	2+4	3+4	8	10	12	
Wire Gauge	0.823mm ² (18AWG)			0.519mm ² (20AWG)		0.823mm ² (18AWG)*2C/3C 0.519mm ² (20AWG)*4C		0.519mm ² (20AWG)	0.34mm ² (22AWG)		
Cable Range	3.5mm - 6.8 mm										
Environmental Protection	IP68				IP67				IP67		
Mechanical Life	500 mating cycles										
Operating Temperature	- 45°C - 105°C										
Voltage Rating	300V	300V	125V	60V	60V	60V	60V	60V	30V	30V	
Rated Current (40°C)	10A	10A	10A	5A	5A	10A+5A	10A+2A	5A	2A	2A	

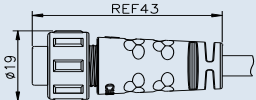
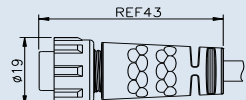
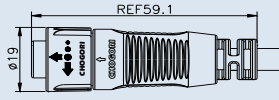
STANDARD SERIES

CHOGORI

Standard Series Specifications

Standard Series, Male Connector & Female Pin

Description	Molded with Cable, 180° Screw Type, Solder	Molded with Cable, 180° Lock Bayonet Type, Solder	Molded with Cable, 180° Push Lock Type, Solder
Figure			

Drawing			
---------	---	--	---

Part Number	Screw Type			Lock Bayonet Type			Push Lock Type		
	Contacts	Cable Range(mm)	Part Number	Contacts	Cable Range(mm)	Part Number	Contacts	Cable Range(mm)	Part Number
	2	Max. 9.0	22002213-01-XXX	2	Max. 9.0	22002223-01-XXX	2	Max. 9.0	22002233-01-XXX
	3	Max. 9.0	22003213-01-XXX	3	Max. 9.0	22003223-01-XXX	3	Max. 9.0	22003233-01-XXX
	4	Max. 9.0	22004213-01-XXX	4	Max. 9.0	22004223-01-XXX	4	Max. 9.0	22004233-01-XXX
	5	Max. 9.0	22005213-01-XXX	5	Max. 9.0	22005223-01-XXX	5	Max. 9.0	22005233-01-XXX
	6	Max. 9.0	22006213-01-XXX	6	Max. 9.0	22006223-01-XXX	6	Max. 9.0	22006233-01-XXX
	2+4	Max. 9.0	22204213-01-XXX	2+4	Max. 9.0	22204223-01-XXX	2+4	Max. 9.0	22204233-01-XXX
	3+4	Max. 9.0	22304213-01-XXX	3+4	Max. 9.0	22304223-01-XXX	3+4	Max. 9.0	22304233-01-XXX
	8	Max. 9.0	22008213-01-XXX	8	Max. 9.0	22008223-01-XXX	8	Max. 9.0	22008233-01-XXX
	10	Max. 9.0	22010213-01-XXX	10	Max. 9.0	22010223-01-XXX	10	Max. 9.0	22010233-01-XXX
	12	Max. 9.0	22012213-01-XXX	12	Max. 9.0	22012223-01-XXX	12	Max. 9.0	22012233-01-XXX




Specifications											
Number of Contacts	2	3	4	5	6	2+4	3+4	8	10	12	
Wire Gauge	0.823mm ² (18AWG)			0.519mm ² (20AWG)		0.823mm ² (18AWG)*2C/3C 0.519mm ² (20AWG)*4C		0.519mm ² (20AWG)	0.34mm ² (22AWG)		
Cable Range	Max. 9.0 mm										
Environmental Protection	IP67				IP67				IP67		
Mechanical Life	500 mating cycles										
Operating Temperature	- 40°C - 80°C										
Voltage Rating	300V	300V	125V	60V	60V	60V	60V	60V	30V	30V	
Rated Current (40°C)	10A	10A	10A	5A	5A	10A+5A	10A+2A	5A	2A	2A	

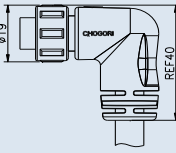
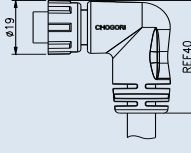
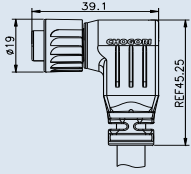
STANDARD SERIES

CHOGORI

Standard Series Specifications

Standard Series, Male Connector & Female Pin

Description	Molded with Cable, 90° Screw Type, Solder	Molded with Cable, 90° Lock Bayonet Type, Solder	Molded with Cable, 90° Push Lock Type, Solder
Figure			

Drawing			
---------	---	---	---

Part Number	Screw Type			Lock Bayonet Type			Push Lock Type		
	Contacts	Cable Range(mm)	Part Number	Contacts	Cable Range(mm)	Part Number	Contacts	Cable Range(mm)	Part Number
	2	Max. 9.0	22002214-01-XXX	2	Max. 9.0	22002224-01-XXX	2	Max. 9.0	22002234-01-XXX
	3	Max. 9.0	22003214-01-XXX	3	Max. 9.0	22003224-01-XXX	3	Max. 9.0	22003234-01-XXX
	4	Max. 9.0	22004214-01-XXX	4	Max. 9.0	22004224-01-XXX	4	Max. 9.0	22004234-01-XXX
	5	Max. 9.0	22005214-01-XXX	5	Max. 9.0	22005224-01-XXX	5	Max. 9.0	22005234-01-XXX
	6	Max. 9.0	22006214-01-XXX	6	Max. 9.0	22006224-01-XXX	6	Max. 9.0	22006234-01-XXX
	2+4	Max. 9.0	22204214-01-XXX	2+4	Max. 9.0	22204224-01-XXX	2+4	Max. 9.0	22204234-01-XXX
	3+4	Max. 9.0	22304214-01-XXX	3+4	Max. 9.0	22304224-01-XXX	3+4	Max. 9.0	22304234-01-XXX
	8	Max. 9.0	22008214-01-XXX	8	Max. 9.0	22008224-01-XXX	8	Max. 9.0	22008234-01-XXX
	10	Max. 9.0	22010214-01-XXX	10	Max. 9.0	22010224-01-XXX	10	Max. 9.0	22010234-01-XXX
	12	Max. 9.0	22012214-01-XXX	12	Max. 9.0	22012224-01-XXX	12	Max. 9.0	22012234-01-XXX

Specifications

Number of Contacts	2	3	4	5	6	2+4	3+4	8	10	12
Wire Gauge	0.823mm ² (18AWG)			0.519mm ² (20AWG)		0.823mm ² (18AWG)*2C/3C 0.519mm ² (20AWG)*4C		0.519mm ² (20AWG)	0.34mm ² (22AWG)	
Cable Range	Max. 9.0 mm									
Environmental Protection	IP67					IP67			IP67	
Mechanical Life	500 mating cycles									
Operating Temperature	- 40°C - 80°C									
Voltage Rating	300V	300V	125V	60V	60V	60V	60V	60V	30V	30V
Rated Current(40°C)	10A	10A	10A	5A	5A	10A+5A	10A+2A	5A	2A	2A