

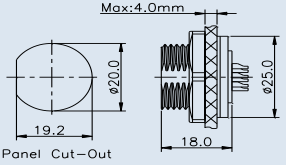
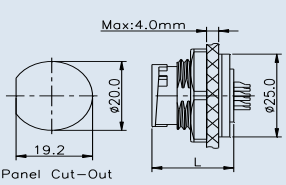
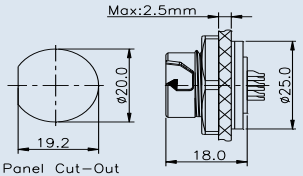
# MIDDLE SERIES

## CHOGORI

### Middle Series Specifications

#### Middle Series, Front Panel Mount & Female Pin

Description	Front Panel Mount Screw Type, Solder	Front Panel Mount Lock Bayonet Type, Solder	Front Panel Mount Push Lock Type, Solder
Figure			

Drawing	Front Panel Mount Screw Type, Solder	Front Panel Mount Lock Bayonet Type, Solder	Front Panel Mount Push Lock Type, Solder
		<p>Note: 9.10 positions, L=17.0 other positions, L=18.0</p> 	

Part-No.	Screw Type		Lock Bayonet Type		Push Lock Type	
	Contacts	Part-Number	Contacts	Part-Number	Contacts	Part-Number
	2	23002615-01	2	23002625-01	2	23002635-01
	3	23003615-01	3	23003625-01	3	23003635-01
	4	23004615-01	4	23004625-01	4	23004635-01
	5	23005615-01	5	23005625-01	5	23005635-01
	6	23006615-01	6	23006625-01	6	23006635-01
	7	23007615-01	7	23007625-01	7	23007635-01
	8	23008615-01	8	23008625-01	8	23008635-01
	3+5	23305615-01	3+5	23305625-01	3+5	23305635-01
	9	23009615-01	9	23009625-01	9	23009635-01
	10	23010615-01	10	23010625-01	10	23010635-01
	12	23012615-01	12	23012625-01	12	23012635-01
	14	23014615-01	14	23014625-01	14	23014635-01
	18	23018615-01	18	23018625-01	18	23018635-01

#### Specifications

Number of Contacts	2	3	4	5	6	7	8	3+5	9	10	12	14	18
Wire Gauge	2.5mm <sup>2</sup> (14AWG)		1.0mm <sup>2</sup> (17AWG)	0.75mm <sup>2</sup> (18AWG)		0.34mm <sup>2</sup> (22AWG)		1.0mm <sup>2</sup> +0.25mm <sup>2</sup> (17AWG+24AWG)	0.34mm <sup>2</sup> (22AWG)	0.25mm <sup>2</sup> (24AWG)			
Panel Thickness	Max. 4.0mm					Max. 4.0mm			Max. 2.5mm				
Environmental Protection	IP68					IP67			IP67				
Mechanical Life	500 mating cycles												
Operating Temperature	- 45°C - 105°C												
Voltage Rating	300V	300V	300V	125V	125V	60V	60V	125+30V	60V	30V	30V	30V	30V
Rated Current(40°C)	20A	20A	15A	10A	10A	5A	5A	15A+2A	5A	5A	2A	2A	2A

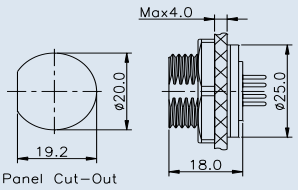
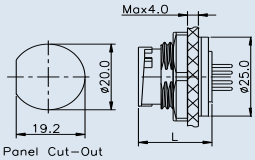
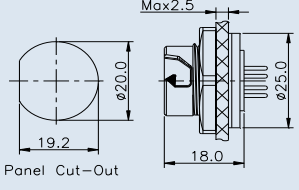
# MIDDLE SERIES

## CHOGORI

### Middle Series Specifications

#### Middle Series, Front Panel Mount & Female Pin

Description	Front Panel Mount Screw Type, PCB	Front Panel Mount Lock Bayonet Type, PCB	Front Panel Mount Push Lock Type, PCB
Figure			

Drawing	 <p>Panel Cut-Out</p>	<p>Note: 9.10 positions, L=17.0 other positions, L=18.0</p>  <p>Panel Cut-Out</p>	 <p>Panel Cut-Out</p>
---------	--	--	--

Part-No.	Contacts		Part-Number		Contacts		Part-Number		Contacts		Part-Number	
		2	23002615-02	2	23002625-02	2	23002635-02	3	23003615-02	3	23003625-02	3
	4	23004615-02	4	23004625-02	4	23004635-02	5	23005615-02	5	23005625-02	5	23005635-02
	6	23006615-02	6	23006625-02	6	23006635-02	7	23007615-02	7	23007625-02	7	23007635-02
	8	23008615-02	8	23008625-02	8	23008635-02	3+5	23305615-02	3+5	23305625-02	3+5	23305635-02
	9	23009615-02	9	23009625-02	9	23009635-02	10	23010615-02	10	23010625-02	10	23010635-02
	12	23012615-02	12	23012625-02	12	23012635-02	14	23014615-02	14	23014625-02	14	23014635-02
	18	23018615-02	18	23018625-02	18	23018635-02						




Specifications													
Number of Contacts	2	3	4	5	6	7	8	3+5	9	10	12	14	18
Wire Gauge	2.5mm <sup>2</sup> (14AWG)		1.0mm <sup>2</sup> (17AWG)	0.75mm <sup>2</sup> (18AWG)		0.34mm <sup>2</sup> (22AWG)		1.0mm <sup>2</sup> +0.25mm <sup>2</sup> (17AWG +24AWG)	0.34mm <sup>2</sup> (22AWG)	0.25mm <sup>2</sup> (24AWG)			
Panel Thickness	Max. 4.0mm				Max. 4.0mm				Max. 2.5mm				
Environmental Protection	IP68				IP67				IP67				
Mechanical Life	500 mating cycles												
Operating Temperature	- 45°C - 105°C												
Voltage Rating	300V	300V	300V	125V	125V	60V	60V	125+30V	60V	30V	30V	30V	30V
Rated Current(40°C)	20A	20A	15A	10A	10A	5A	5A	15A+2A	5A	5A	2A	2A	2A

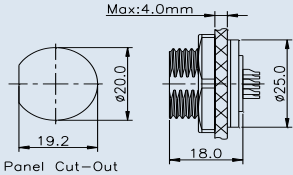
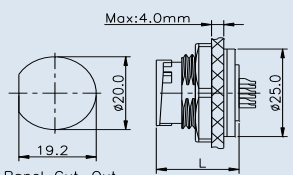
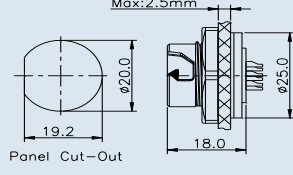
# MIDDLE SERIES

## CHOGORI

### Middle Series Specifications

#### Middle Series, Front Panel Mount & Male Pin

Description	Front Panel Mount Screw Type, Solder	Front Panel Mount Lock bayonet Type, Solder	Front Panel Mount Push Lock Type, Solder
Figure			

Drawing		<p>Note: 9.10 positions, L=17.0 other positions, L=18.0</p> 	
---------	---	--	---

Part-No.	Contacts		Part-Number		Contacts		Part-Number		Contacts		Part-Number		
		2	3	4	5	6	7	8	3+5	9	10	12	14
	23002515-01	23003515-01	23004515-01	23005515-01	23006515-01	23007515-01	23008515-01	23305515-01	23009515-01	23010515-01	23012515-01	23014515-01	23018515-01
	23002525-01	23003525-01	23004525-01	23005525-01	23006525-01	23007525-01	23008525-01	23305525-01	23009525-01	23010525-01	23012525-01	23014525-01	23018525-01
	23002535-01	23003535-01	23004535-01	23005535-01	23006535-01	23007535-01	23008535-01	23305535-01	23009535-01	23010535-01	23012535-01	23014535-01	23018535-01




Specifications													
Number of Contacts	2	3	4	5	6	7	8	3+5	9	10	12	14	18
Wire Gauge	2.5mm <sup>2</sup> (14AWG)		1.0mm <sup>2</sup> (17AWG)	0.75mm <sup>2</sup> (18AWG)		0.34mm <sup>2</sup> (22AWG)		1.0mm <sup>2</sup> +0.25mm <sup>2</sup> (17AWG +24AWG)	0.34mm <sup>2</sup> (22AWG)	0.25mm <sup>2</sup> (24AWG)			
Panel Thickness	Max. 4.0mm				Max. 4.0mm				Max. 2.5mm				
Environmental Protection	IP68				IP67				IP67				
Mechanical Life	500 mating cycles												
Operating Temperature	- 45°C - 105°C												
Voltage Rating	300V	300V	300V	125V	125V	60V	60V	125+30V	60V	30V	30V	30V	30V
Rated Current(40°C)	20A	20A	15A	10A	10A	5A	5A	15A+2A	5A	5A	5A	5A	2A

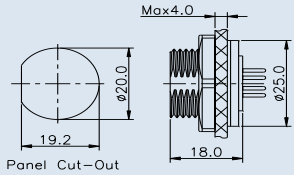
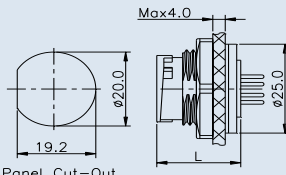
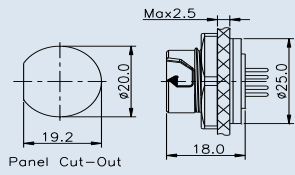
# MIDDLE SERIES

## CHOGORI

### Middle Series Specifications

#### Middle Series, Front Panel Mount & Male Pin

Description	Front Panel Mount Screw Type, PCB	Front Panel Mount Lock bayonet Type, PCB	Front Panel Mount Push Lock Type, PCB
Figure			

Drawing		Note: 9,10 positions, L=17.0 other positions, L=18.0 	
---------	---	---	---

Part-No.	Screw Type		Lock bayonet Type		Push Lock Type	
	Contacts	Part-Number	Contacts	Part-Number	Contacts	Part-Number
	2	23002515-02	2	23002525-02	2	23002535-02
	3	23003515-02	3	23003525-02	3	23003535-02
	4	23004515-02	4	23004525-02	4	23004535-02
	5	23005515-02	5	23005525-02	5	23005535-02
	6	23006515-02	6	23006525-02	6	23006535-02
	7	23007515-02	7	23007525-02	7	23007535-02
	8	23008515-02	8	23008525-02	8	23008535-02
	3+5	23305515-02	3+5	23305525-02	3+5	23305535-02
	9	23009515-02	9	23009525-02	9	23009535-02
	10	23010515-02	10	23010525-02	10	23010535-02
	12	23012515-02	12	23012525-02	12	23012535-02
	14	23014515-02	14	23014525-02	14	23014535-02
	18	23018515-02	18	23018525-02	18	23018535-02

Specifications													
Number of Contacts	2	3	4	5	6	7	8	3+5	9	10	12	14	18
Wire Gauge	2.5mm <sup>2</sup> (14AWG)		1.0mm <sup>2</sup> (17AWG)	0.75mm <sup>2</sup> (18AWG)	0.34mm <sup>2</sup> (22AWG)		1.0mm <sup>2</sup> +0.25mm <sup>2</sup> (17AWG +24AWG)		0.34mm <sup>2</sup> (22AWG)	0.25mm <sup>2</sup> (24AWG)			
Panel Thickness	Max. 4.0mm				Max. 4.0mm				Max. 2.5mm				
Environmental Protection	IP68				IP67				IP67				
Mechanical Life	500 mating cycles												
Operating Temperature	- 45°C - 105°C												
Voltage Rating	300V	300V	300V	125V	125V	60V	60V	125+30V	60V	30V	30V	30V	30V
Rated Current(40°C)	20A	20A	15A	10A	10A	5A	5A	15A+2A	5A	5A	5A	5A	2A

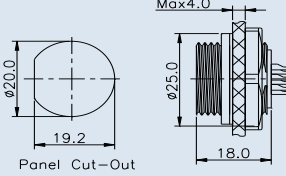
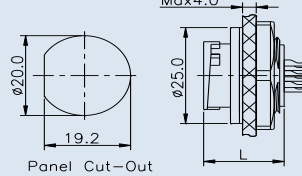
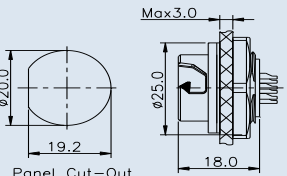
# MIDDLE SERIES

## CHOGORI

### Middle Series Specifications

#### Middle Series, Rear Panel Mount & Male Pin

Description	Rear Panel Mount Screw Type, Solder	Rear Panel Mount Lock bayonet Type, Solder	Rear Panel Mount Push Lock Type, Solder
Figure			

Drawing		Note: 9.10 positions, L=17.0 other positions, L=18.0 	
---------	---	---	---

Part-No.	Contacts		Part-Number		Contacts		Part-Number		Contacts		Part-Number	
		2	3	23002515-03	23002525-03	2	3	23002525-03	23003525-03	2	3	23002535-03
	4	5	23004515-03	23004525-03	4	5	23004525-03	23005525-03	4	5	23004535-03	23005535-03
	6	7	23006515-03	23006525-03	6	7	23006525-03	23007525-03	6	7	23006535-03	23007535-03
	8	9	23008515-03	23008525-03	8	9	23008525-03	23009525-03	8	9	23008535-03	23009535-03
	10	12	23010515-03	23010525-03	10	12	23010525-03	23012525-03	10	12	23010535-03	23012535-03
	14	18	23014515-03	23014525-03	14	18	23014525-03	23018525-03	14	18	23014535-03	23018535-03




Specifications													
Number of Contacts	2	3	4	5	6	7	8	3+5	9	10	12	14	18
Wire Gauge	2.5mm <sup>2</sup> (14AWG)		1.0mm <sup>2</sup> (17AWG)	0.75mm <sup>2</sup> (18AWG)	0.34mm <sup>2</sup> (22AWG)		1.0mm <sup>2</sup> +0.25mm <sup>2</sup> (17AWG +24AWG)		0.34mm <sup>2</sup> (22AWG)	0.25mm <sup>2</sup> (24AWG)			
Panel Thickness	Max. 4.0mm				Max. 4.0mm				Max. 3.0mm				
Environmental Protection	IP68				IP67				IP67				
Mechanical Life	500 mating cycles												
Operating Temperature	- 45°C - 105°C												
Voltage Rating	300V	300V	300V	125V	125V	60V	60V	125+30V	60V	30V	30V	30V	30V
Rated Current(40°C)	20A	20A	15A	10A	10A	5A	5A	15A+2A	5A	5A	5A	5A	2A

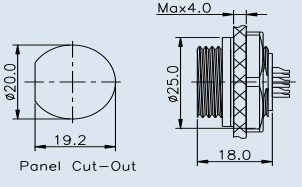
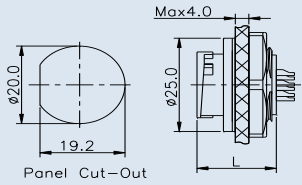
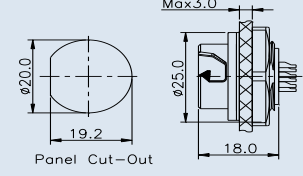
# MIDDLE SERIES

## CHOGORI

### Middle Series Specifications

#### Middle Series, Rear Panel Mount & Female Pin

Description	Rear Panel Mount Screw Type, Solder	Rear Panel Mount Lock Bayonet Type, Solder	Rear Panel Mount Push Lock Type, Solder
Figure			

Drawing		<p>Note: 9.10 positions, L=17.0 other positions, L=18.0</p> 	
---------	---	--	---

Part-No.	Contacts		Part-Number		Contacts		Part-Number		Contacts		Part-Number	
		2	23002615-03	2	23002625-03	2	23002635-03	2	23002635-03	2	23002635-03	2
	3	23003615-03	3	23003625-03	3	23003635-03	3	23003635-03	3	23003635-03	3	23003635-03
	4	23004615-03	4	23004625-03	4	23004635-03	4	23004635-03	4	23004635-03	4	23004635-03
	5	23005615-03	5	23005625-03	5	23005635-03	5	23005635-03	5	23005635-03	5	23005635-03
	6	23006615-03	6	23006625-03	6	23006635-03	6	23006635-03	6	23006635-03	6	23006635-03
	7	23007615-03	7	23007625-03	7	23007635-03	7	23007635-03	7	23007635-03	7	23007635-03
	8	23008615-03	8	23008625-03	8	23008635-03	8	23008635-03	8	23008635-03	8	23008635-03
	3+5	23305615-03	3+5	23305625-03	3+5	23305635-03	3+5	23305635-03	3+5	23305635-03	3+5	23305635-03
	9	23009615-03	9	23009625-03	9	23009635-03	9	23009635-03	9	23009635-03	9	23009635-03
	10	23010615-03	10	23010625-03	10	23010635-03	10	23010635-03	10	23010635-03	10	23010635-03
	12	23012615-03	12	23012625-03	12	23012635-03	12	23012635-03	12	23012635-03	12	23012635-03
	14	23014615-03	14	23014625-03	14	23014635-03	14	23014635-03	14	23014635-03	14	23014635-03
	18	23018615-03	18	23018625-03	18	23018635-03	18	23018635-03	18	23018635-03	18	23018635-03

#### Specifications



Number of Contacts	2	3	4	5	6	7	8	3+5	9	10	12	14	18
Wire Gauge	2.5mm <sup>2</sup> (14AWG)		1.0mm <sup>2</sup> (17AWG)	0.75mm <sup>2</sup> (18AWG)		0.34mm <sup>2</sup> (22AWG)		1.0mm <sup>2</sup> +0.25mm <sup>2</sup> (17AWG +24AWG)	0.34mm <sup>2</sup> (22AWG)	0.25mm <sup>2</sup> (24AWG)			
Panel Thickness	Max. 4.0mm					Max. 4.0mm			Max. 3.0mm				
Environmental Protection	IP68					IP67			IP67				
Mechanical Life	500 mating cycles												
Operating Temperature	- 45°C - 105°C												
Voltage Rating	300V	300V	300V	125V	125V	60V	60V	125+30V	60V	30V	30V	30V	30V
Rated Current(40°C)	20A	20A	15A	10A	10A	5A	5A	15A+2A	5A	5A	2A	2A	2A

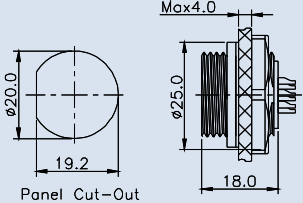
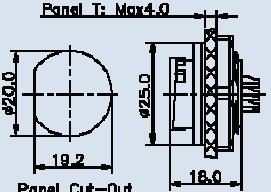
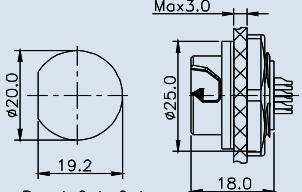
# MIDDLE SERIES

## CHOGORI

### Middle Series Specifications

#### Middle Series, Rear Panel Mount & Male Pin

Description	Rear Panel Mount Screw Type, Solder	Rear Panel Mount Lock bayonet Type, Solder	Rear Panel Mount Push Lock Type, Solder
Figure			

Drawing			
---------	---	--	---

Part-No.	Contacts		Part-Number		Contacts		Part-Number		Contacts		Part-Number	
		2	3	23002515-03	23002525-03	2	3	23003515-03	23003525-03	2	3	23004515-03
	4	5	23004515-03	23004525-03	4	5	23005515-03	23005525-03	4	5	23006515-03	23006525-03
	6	7	23006515-03	23006525-03	6	7	23007515-03	23007525-03	6	7	23008515-03	23008525-03
	8	9	23008515-03	23008525-03	8	9	23009515-03	23009525-03	8	9	23010515-03	23010525-03
	10	12	23010515-03	23010525-03	10	12	23012515-03	23012525-03	10	12	23014515-03	23014525-03
	14	18	23014515-03	23014525-03	14	18	23018515-03	23018525-03	14	18	23018515-03	23018525-03

#### Specifications

Number of Contacts	2	3	4	5	6	7	8	3+5	9	10	12	14	18
Wire Gauge	2.5mm <sup>2</sup> (14AWG)		1.0mm <sup>2</sup> (17AWG)	0.75mm <sup>2</sup> (18AWG)	0.34mm <sup>2</sup> (22AWG)		1.0mm <sup>2</sup> +0.25mm <sup>2</sup> (17AWG +24AWG)		0.34mm <sup>2</sup> (22AWG)	0.25mm <sup>2</sup> (24AWG)			
Panel Thickness	Max. 4.0mm				Max. 4.0mm				Max. 3.0mm				
Environmental Protection	IP68				IP67				IP67				
Mechanical Life	500 mating cycles												
Operating Temperature	- 45°C - 105°C												
Voltage Rating	300V	300V	300V	125V	125V	60V	60V	125+30V	60V	30V	30V	30V	30V
Rated Current(40°C)	20A	20A	15A	10A	10A	5A	5A	15A+2A	5A	5A	5A	5A	2A

# MIDDLE SERIES

## CHOGORI

### Middle Series Specifications

#### Middle Series, Flange Panel Mount

##### Description

Flange Panel Mount With Male Pin  
Push Lock Type, Solder

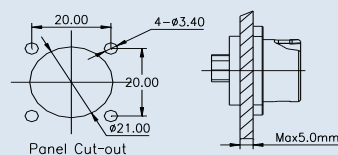
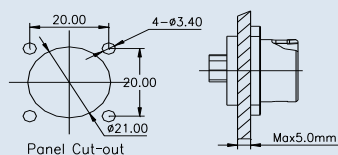
##### Figure



Flange Panel Mount With Female Pin  
Push Lock Type, Solder



##### Drawing



##### Part-No.

Contacts	Part-Number	Contacts	Part-Number
2	23002536-01	2	23002636-01
3	23003536-01	3	23003636-01
4	23004536-01	4	23004636-01
5	23005536-01	5	23005636-01
6	23006536-01	6	23006636-01
7	23007536-01	7	23007636-01
8	23008536-01	8	23008636-01
9	23009536-01	9	23009636-01
10	23010536-01	10	23010636-01
12	23012536-01	12	23012636-01
14	23014536-01	14	23014636-01
18	23018536-01	18	23018636-01

#### Specifications

Number of Contacts	2	3	4	5	6	7	8	9	10	12	14	18
Wire Gauge	2.5mm <sup>2</sup> (14AWG)		1.0mm <sup>2</sup> (17AWG)	0.75mm <sup>2</sup> (18AWG)		0.34mm <sup>2</sup> (22AWG)			0.25mm <sup>2</sup> (24AWG)			
Panel Thickness	Max. 5.0mm											
Environmental Protection	IP67											
Mechanical Life	500 mating cycles											
Operating Temperature	- 45°C - 105°C											
Voltage Rating	250V			125V			60V			30V		
Rated Current(40°C)	20A	20A	15A	10A	10A	5A	5A	5A	5A	5A	5A	2A