

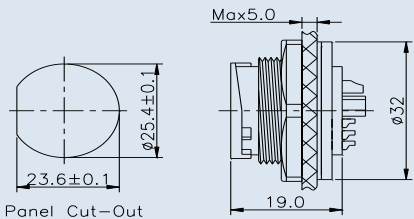
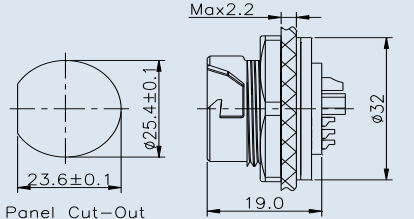
LARGE SERIES

CHOGORI

Large Series Specifications

Large Series, Panel Mount & Female Pin

Description	Front Panel Mount Lock Bayonet Type, Solder	Front Panel Mount Push Lock Type, Solder
Figure		

Drawing		
---------	---	--

Part-No.	Contacts	Part Number	Contacts	Part Number
	2	24002625-01	2	24002635-01
	3(20A)	24003625-01	3(20A)	24003635-01
	3(50A)	24003625-02	3(50A)	24003635-02
	9	24009625-01	9	24009635-01
	18	24018625-01	18	24018635-01
	3+9(FM)	24309625-01	3+9(FM)	24309635-01
	3+11(FM)	24311625-01	3+11(FM)	24311635-01

Specifications							
Number of Contacts	2	3	3	9	18	3+9	3+11
Wire Gauge	4.0mm ² (12AWG)		8.4mm ² (8AWG)	0.75mm ² (18AWG)	0.3mm ² (22AWG)	2.5mm ² + 0.2mm ² (12AWG+24AWG)	
Panel Thickness	Max. 5.0mm				Max. 2.2mm		
Environmental Protection	IP67						
Mechanical Life	500 mating cycles						
Operating Temperature	- 45°C - 105°C						
Voltage Rating	300V	300V	300V	125V	125V	300V	300V
Rated Current (40°C)	20A	20A	50A	5A	5A	20A+5A	20A+5A

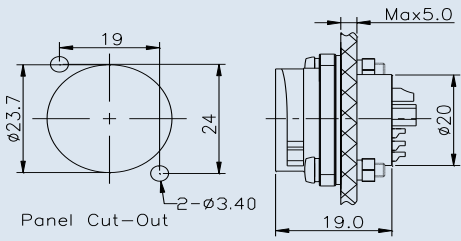
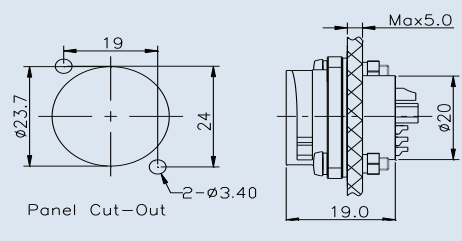
LARGE SERIES

CHOGORI

Large Series Specifications

Large Series, Panel Mount & Female Pin

Description	Square Panel Mount Lock Bayonet Type, Solder	Square Panel Mount Push Lock Type, Solder
Figure		

Drawing		
---------	--	---

Part-No.	Contacts	Part Number	Contacts	Part Number
	2	24002626-01	2	24002636-01
	3(20A)	24003626-01	3(20A)	24003636-01
	3(50A)	24003626-02	3(50A)	24003636-02
	9	24009626-01	9	24009636-01
	3+9(FM)	24309626-01	3+9(FM)	24309636-01

Specifications					
Number of Contacts	2	3	3	9	3+9
Wire Gauge	4.0mm ² (12AWG)	8.4mm ² (8AWG)	0.75mm ² (18AWG)		2.5mm ² + 0.2mm ² (12AWG+24AWG)
Panel Thickness	Max. 5.0mm				Max. 5.0mm
Environmental Protection	IP67				
Mechanical Life	500 mating cycles				
Operating Temperature	- 45°C - 105°C				
Voltage Rating	300V	300V	300V	125V	300V
Rated Current (40°C)	20A	20A	50A	5A	20A+5A

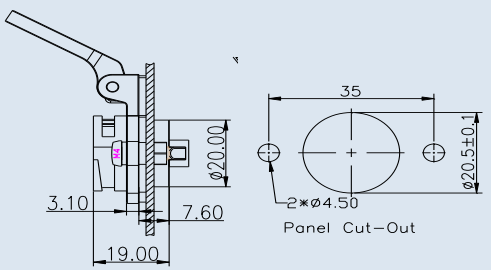
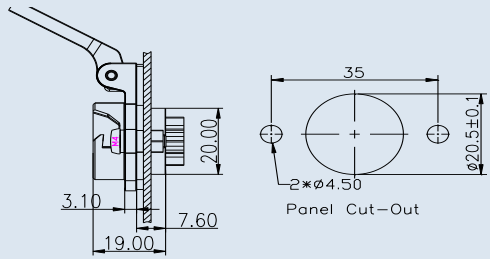
LARGE SERIES

CHOGORI

Large Series Specifications

Large Series, Panel Mount & Female Pin

Description	Rhombus Panel Mount Lock Bayonet Type, Solder	Rhombus Panel Mount Push Lock Type, Solder
Figure		

Drawing		
---------	--	---

Part-No.	Contacts	Part Number	Contacts	Part Number
	2	24002626-05	2	24002636-05
	3(20A)	24003626-03	3(20A)	24003636-03
	3(50A)	24003626-04	3(50A)	24003636-04
	9	24009626-05	9	24009636-05
	3+9(FM)	24309626-05	3+9(FM)	24309636-05



Specifications					
Number of Contacts	2	3	3	9	3+9
Wire Gauge	4.0mm ² (12AWG)	8.4mm ² (8AWG)	0.75mm ² (18AWG)		2.5mm ² + 0.2mm ² (12AWG+24AWG)
Panel Thickness	Max. 5.0mm				Max. 5.0mm
Environmental Protection	IP67				
Mechanical Life	500 mating cycles				
Operating Temperature	- 45°C - 105°C				
Voltage Rating	300V	300V	300V	125V	300V
Rated Current (40°C)	20A	20A	50A	5A	20A+5A

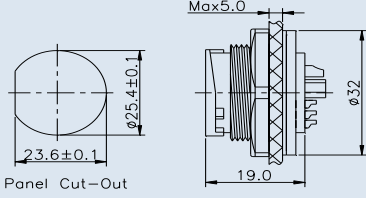
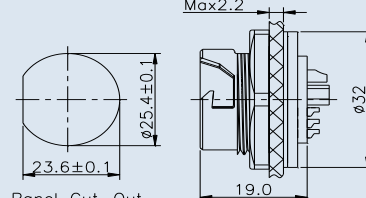
LARGE SERIES

CHOGORI

Large Series Specifications

Large Series, Panel Mount & Male Pin

Description	Front Panel Mount Lock Bayonet Type, Solder	Front Panel Mount Push Lock Type, Solder
Figure		

Drawing	 <p>Panel Cut-Out</p>	 <p>Panel Cut-Out</p>
---------	--	---

Part-No.	Contacts	Part Number	Contacts	Part Number
	2	24002525-01	2	24002535-01
	3(20A)	24003525-01	3(20A)	24003535-01
	3(50A)	24003525-02	3(50A)	24003535-02
	9	24009525-01	9	24009535-01
	18	24018525-01	18	24018535-01
	24	24024525-01	24	24024535-01
	3+9(MF)	24309525-01	3+9(MF)	24309535-01
	3+11(MF)	24311525-01	3+11(MF)	24311535-01

Specifications								
Number of Contacts	2	3	3	9	18	24	3+9	3+11
Wire Gauge	4.0mm ² (12AWG)		8.4mm ² (8AWG)	0.75mm ² (18AWG)	0.3mm ² (22AWG)		2.5mm ² +0.2mm ² (12AWG+24AWG)	
Panel Thickness	Max. 5.0mm				Max. 2.2mm			
Environmental Protection	IP67							
Mechanical Life	500 mating cycles							
Operating Temperature	- 45°C - 105°C							
Voltage Rating	300V	300V	300V	125V	125V	300V	300V	
Rated Current (40°C)	20A	20A	50A	5A	5A	20A+5A	20A+5A	

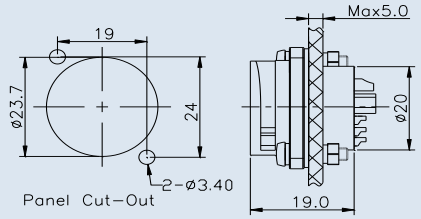
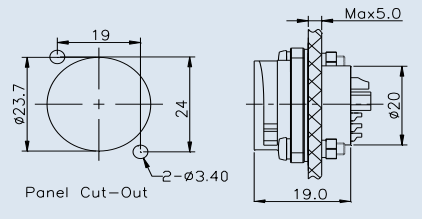
LARGE SERIES

CHOGORI

Large Series Specifications

Large Series, Panel Mount & Male Pin

Description	Square Panel Mount Lock Bayonet Type, Solder	Square Panel Mount Push Lock Type, Solder
Figure		

Drawing		
---------	--	---

Part-No.	Contacts	Part Number	Contacts	Part Number
	2	24002526-01	2	24002536-01
	3(20A)	24003526-01	3(20A)	24003536-01
	3(50A)	24003526-02	3(50A)	24003536-02
	9	24009526-01	9	24009536-01
	3+9(MF)	24309526-01	3+9(MF)	24309536-01

Specifications

Number of Contacts	2	3	3	9	3+9
Wire Gauge	4.0mm ² (12AWG)	8.4mm ² (8AWG)	0.75mm ² (18AWG)	2.5mm ² + 0.2mm ² (12AWG+24AWG)	
Panel Thickness	Max. 5.0mm				Max. 5.0mm
Environmental Protection	IP67				
Mechanical Life	500 mating cycles				
Operating Temperature	- 45°C - 105°C				
Voltage Rating	300V	300V	300V	125V	300V
Rated Current (40°C)	20A	20A	50A	5A	20A+5A

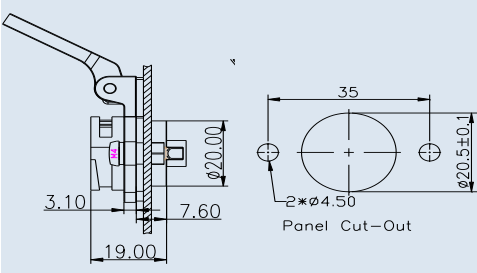
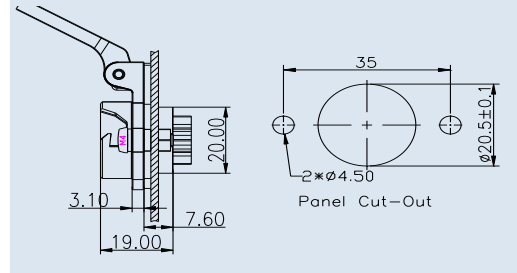
LARGE SERIES

CHOGORI

Large Series Specifications

Large Series, Panel Mount & Male Pin

Description	Rhombus Panel Mount Lock Bayonet Type, Solder	Rhombus Panel Mount Push Lock Type, Solder
Figure		

Drawing		
---------	--	---

Part-No.	Contacts	Part Number	Contacts	Part Number
	2	24002526-02	2	24002536-02
	3(20A)	24003526-03	3(20A)	24003536-03
	3(50A)	24003526-04	3(50A)	24003536-04
	9	24009526-02	9	24009536-02
	3+9(MF)	24309526-02	3+9(MF)	24309536-02

Specifications					
Number of Contacts	2	3	3	9	3+9
Wire Gauge	4.0mm ² (12AWG)		8.4mm ² (8AWG)	0.75mm ² (18AWG)	2.5mm ² + 0.2mm ² (12AWG+24AWG)
Panel Thickness	Max. 5.0mm				Max. 5.0mm
Environmental Protection	IP67				
Mechanical Life	500 mating cycles				
Operating Temperature	- 45°C - 105°C				
Voltage Rating	300V	300V	300V	125V	300V
Rated Current (40°C)	20A	20A	50A	5A	20A+5A