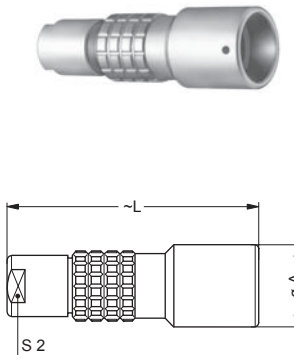
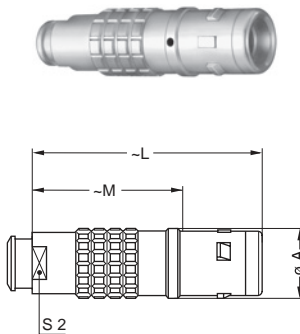
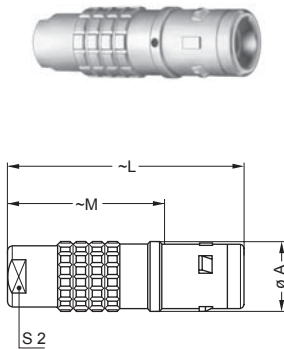


Series K

Technical Characteristics

Mechanical and Climatical

Characteristics	Value	Standard
Endurance	> 5000 cycles	IEC 60512-5 test 9a
Humidity	up to 95% at 60° C	
Temperature range	-55° C, +250° C	
Resistance to vibration	10-2000 Hz, 15 g	IEC 60512-4 test 6d
Shock resistance	100 g, 6 ms	IEC 60512-4 test 6c
Salt spray corrosion test	> 144h	IEC 60512-6 test 11f
Protection index (mated)	IP50	IEC 60529
Climatical category	55/175/21	IEC 60068-1



Metal housing models

Electrical

Characteristics	Value	Standard	
Shielding efficiency	at 10 MHz	> 75 dB	IEC 60169-1-3
	at 1 GHz	> 40 dB	IEC 60169-1-3

Note:

the various tests have been carried out with FGG and EGG connector pairs, with chrome-plated brass shell and PEEK insulator.

FGG Straight plug, key (G) or keys (A to F, L and R), cable collet

Reference		Dimensions (mm)			
Model	Series	A	L	M	S2
FGG	0K	11	34	23.0	8
FGG	1K	13	42	28.0	9
FGG	2K	16	52	36.0	12

FGG Straight plug, key (G) or keys (A to F, L and R), cable collet and nut for fitting a bend relief ¹⁾

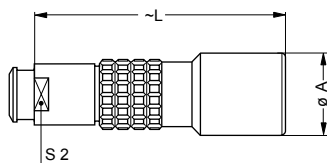
Reference		Dimensions (mm)			
Model	Series	A	L	M	S2
FGG	0K	11	34	23.0	7
FGG	1K	13	42	28.0	9
FGG	2K	16	52	36.0	12

Note: ¹⁾ to order, add a «Z» at the end of the reference.

PHG Free socket, key (G) or keys (A to F, L and R), cable collet

Reference		Dimensions (mm)		
Model	Series	A	L	S2
PHG	0K	13	34.0	8
PHG	1K	15	45.0	9
PHG	2K	19	54.0	12

PHG Free socket, key (G) or keys (A to F, L and R), cable collet and nut for fitting a bend relief ¹⁾



Reference		Dimensions (mm)		
Model	Series	A	L	S2
PHG	0K	13	34.0	7
PHG	1K	15	45.0	9
PHG	2K	19	54.0	12

Note: ¹⁾ to order, add a «Z» at the end of the reference.

Order information K

FG G - 2 K - 310 - C L A C 65 Z

1 2 3 4 5 6 7 8 9 10 11

- Model: F — plug; E — cable receptacle; H — waterproof receptacle; P — receptacle; X —receptacle PCB soldering
- Key
- Size
- Series
- Number of contacts: 306 - 10 contacts
- Body material: C — chromium-plate brass
- Insulator material: L — PEEK; Y — PEEK, long insulator, crimp
- Type of pin: L — socket, solder; A — pin; M — socket, crimp; Y — socket, crimp; V — socket, elbow print
- Collet mechanism: C — collet for K socket
- Collet diameter: 62 — 6,5 mm
- Z - shock absorber for cable, option

Alignment Key

Series K

Alignment Key and Polarized Keying System

K series connector model part numbers are composed of three letters. The LAST LETTER indicates the key position and the contact type (male or female).

Front view of a socket	Reference	Nb of keys	Angles	Series			Contact type	
				0K	1K	2K	Plug	Socket
	G	1		0°	0°	0°	male	female
	A	2		30°	30°	30°	male	female
	B	2	α	45°	45°	45°	male	female
	C	2		60°	60°	60°	male	female
	D	2	γ	95°	95°	95°	male	female
	E	2	β	120°	120°	120°	male	female
	F	2		145°	145°	145°	male	female
	L	2	γ	75°	75°	75°	female	male

Note:

- First choice alternative
- Special order alternative