

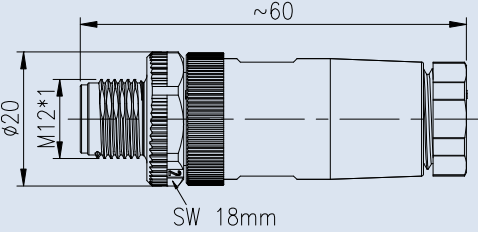
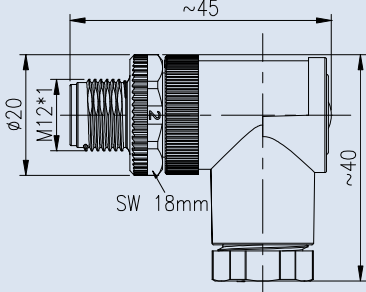


M12 Series Specifications

M12 Series, Field Installable & Male Pin

Description	Field Installable, 180° Screw Type	Field Installable, 90° Screw Type
Figure		
Drawing		

Part-No.	Contacts	Cable Range(mm)		Part-Number	
		4 - 6	6 - 8	54031101-01	54031101-02
	3	4 - 6		54031101-01	54031102-01
		6 - 8		54031101-02	54031102-02
	4	4 - 6		54041101-01	54041102-01
		6 - 8		54041101-02	54041102-02
	5	4 - 6		54051101-01	54051102-01
		6 - 8		54051101-02	54051102-02

Specifications

Number of Contacts	3	4	5
Wire Gauge	0.75mm ² (18AWG)		
Cable Range	4mm - 6mm , 6mm - 8mm		
Environmental Protection	IP67		
Mechanical Life	100 mating cycles		
Operating Temperature	- 25°C - 85°C		
Voltage Rating	250V	250V	125V
Rated Current(40°C)	4A		