

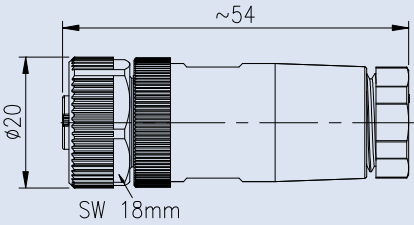
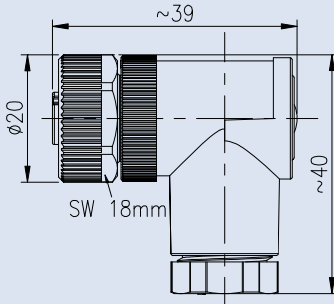


M12 Series Specifications

M12 Series, Field Installable & Female Pin

Description	Field Installable, 180° Screw Type	Field Installable, 90° Screw Type
Figure		

Drawing		
---------	--	--

Part-No.	180° Connector		90° Connector	
	Contacts	Cable Range(mm)	Contacts	Cable Range(mm)
	3	4 - 6	3	4 - 6
		6 - 8		6 - 8
	4	4 - 6	4	4 - 6
		6 - 8		6 - 8
	5	4 - 6	5	4 - 6
		6 - 8		6 - 8

Specifications

	3	4	5
Number of Contacts	3	4	5
Wire Gauge	0.75mm ² (18AWG)		
Cable Range	4mm - 6mm , 6mm - 8mm		
Environmental Protection	IP67		
Mechanical Life	100 mating cycles		
Operating Temperature	- 25°C - 85°C		
Voltage Rating	250V	250V	125V
Rated Current(40°C)	4A		