

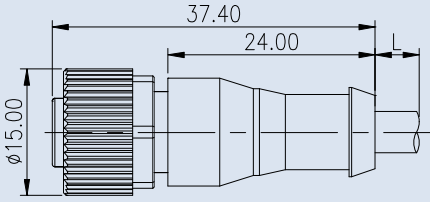
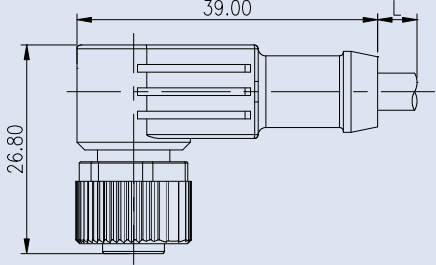


M12 Series Specifications

M12 Series, Molded with Cable& Female Pin

Description	Molded with Cable, 180° Screw Type	Molded with Cable, 90° Screw Type
Figure		

Drawing		
---------	------------------------------------------------------------------------------------	-------------------------------------------------------------------------------------

Part-No.	Contacts	Cable Range(mm)	Part-Number	Contacts	Cable Range(mm)	Part-Number
		3	Max. 6.0	54034103-01-XXXXX	3	Max. 6.0
	4	Max. 6.0	54044103-01-XXXXX	4	Max. 6.0	54044104-01-XXXXX
	5	Max. 6.0	54054103-01-XXXXX	5	Max. 6.0	54054104-01-XXXXX
	8	Max. 6.0	54084103-01-XXXXX	8	Max. 6.0	54084104-01-XXXXX
	12	Max. 6.0	54124103-01-XXXXX	12	Max. 6.0	54124104-01-XXXXX

Specifications

Number of Contacts	3	4	5	8	12
Wire Gauge	0.34mm ² (22AWG)			.025mm ² (24AWG)	0.14mm ² (.26AWG)
Cable Range	Max. 6.0				
Environmental Protection	IP67				
Machanical Life	100 mating cycles				
Operating Temperature	- 25°C - 85°C				
Voltage Rating	250V	250V	125V	60V	30V
Rated Current(40°C)	4A	4A	4A	2A	1A