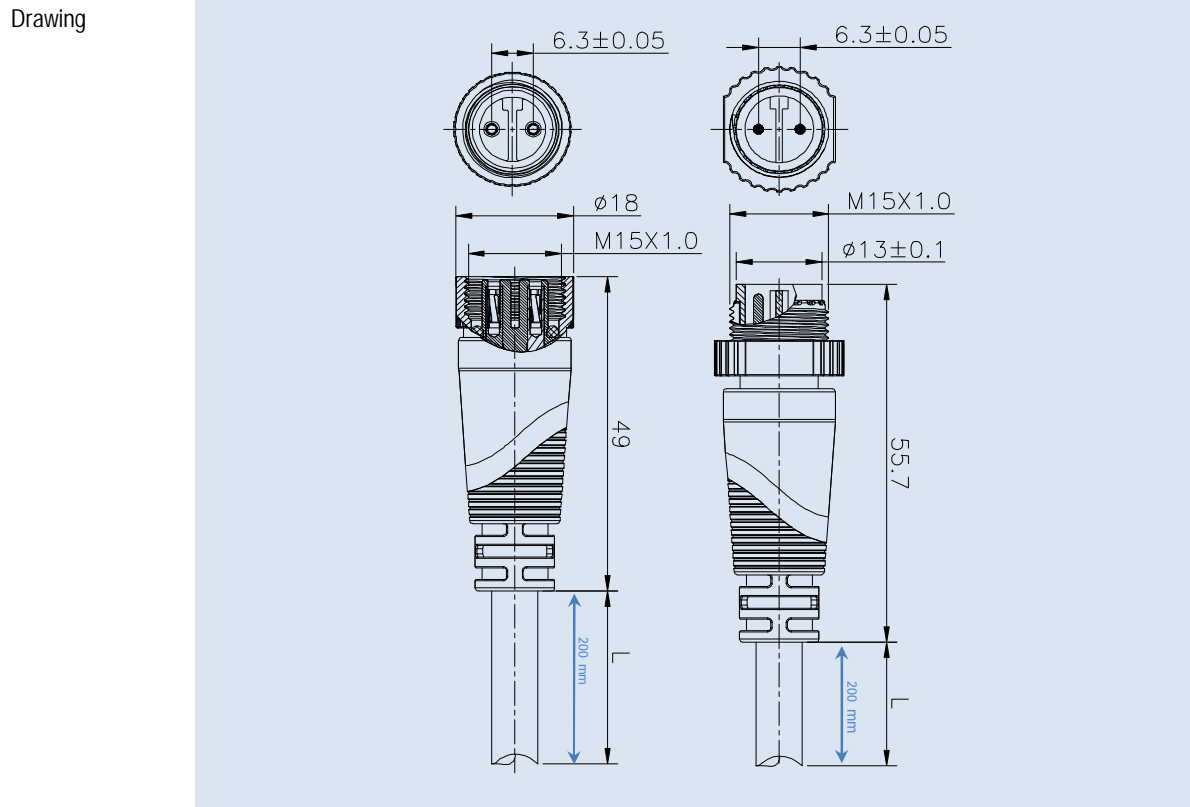
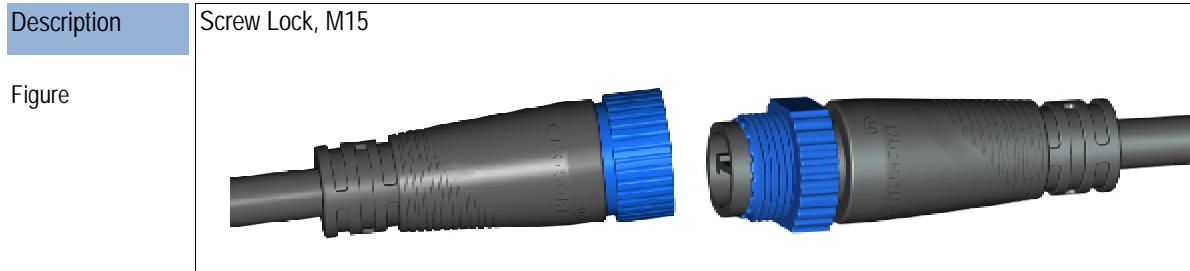


M15 Distributor Series



Part Number	Contacts	Connector Type	Part Number	Contacts	Connector Type	Part Number
		2	Female Connector	48002413-01-200	2	Male Connector

Specifications	Mated P/N (1PCS 48002413-01-200 is mated with 1PCS 48002113-01-200)
----------------	---

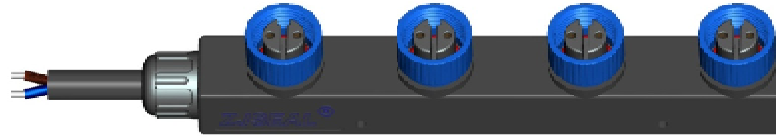
Number of Contacts	2	1*48002413-01-200	1*48002113-01-200
Wire Gauge	1.0mm ² /17AWG		
Cable	VDE, CCC 2*1.0 Rubber Cable, OD=6.8mm; Cable Length=200 mm	1*48002113-01-200	1*48002413-01-200
Degree of Protection	IP68		
Mechanical Operation	>500 mating cycles		
Lower-Upper Temperature	- 45°C ~ +105°C		
Rate Voltage	500V		
Rated Current (40°C)	10A		
Contact	Brass, Gold Plating		
Material of Housing	PA		

M15 Distributor Series

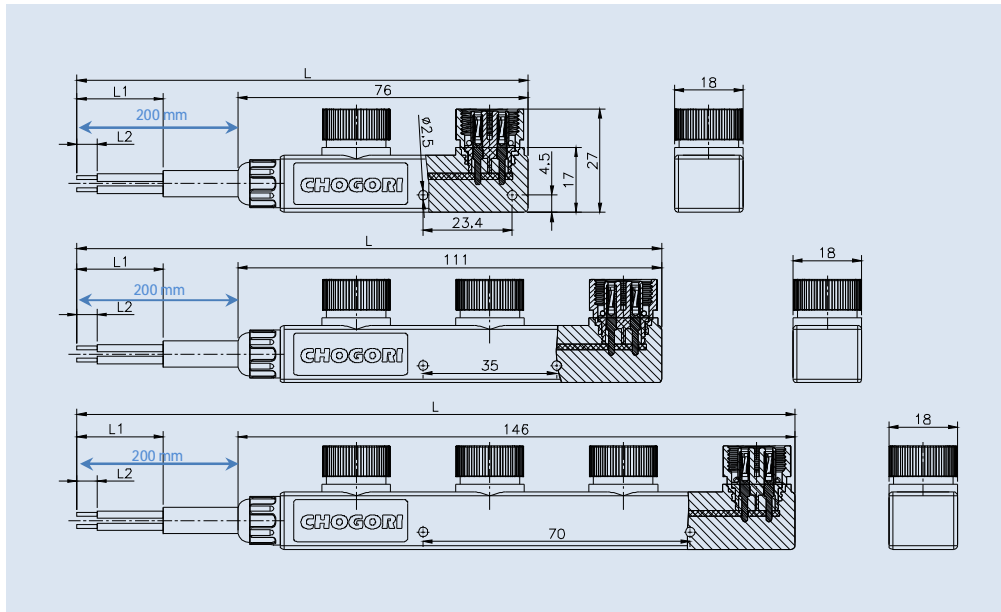
Description

Screw Lock, M15

Figure



Drawing



Part Number	Contacts	Ways	Connection Type	Part Number	Contacts	Ways	Connection Type	Part Number
	2	2	2	Series	48012010-01-200	2	2	Parallel
3			48012010-02-200		3		48012010-12-200	
4			48012010-03-200		4		48012010-13-200	

Specifications	Mated P/N (1PCS 48012010-01-200 is mated with 2PCS 48002113-01-200)
----------------	---

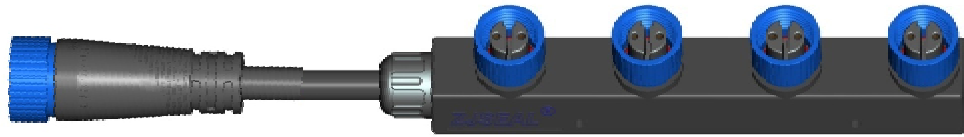
Number of Contacts	2	1*48012010-01-200	2*48002113-01-200
Wire Gauge	1.0mm ² /17AWG	1*48012010-02-200	3*48002113-01-200
Cable Range	VDE, CCC 2*1.0 Rubber Cable, OD=6.8mm; Cable Length=200 mm	1*48012010-03-200	4*48002113-01-200
Degree of Protection	IP68		
Mechanical Operation	>500 mating cycles	1*48012010-11-200	2*48002113-01-200
Lower-Upper Temperature	- 45°C ~ +105°C	1*48012010-12-200	3*48002113-01-200
Rate Voltage	500V	1*48012010-13-200	4*48002113-01-200
Rated Current (40°C)	10A		
Contact	Brass, Gold Plating		
Material of Housing	PA		

M15 Distributor Series

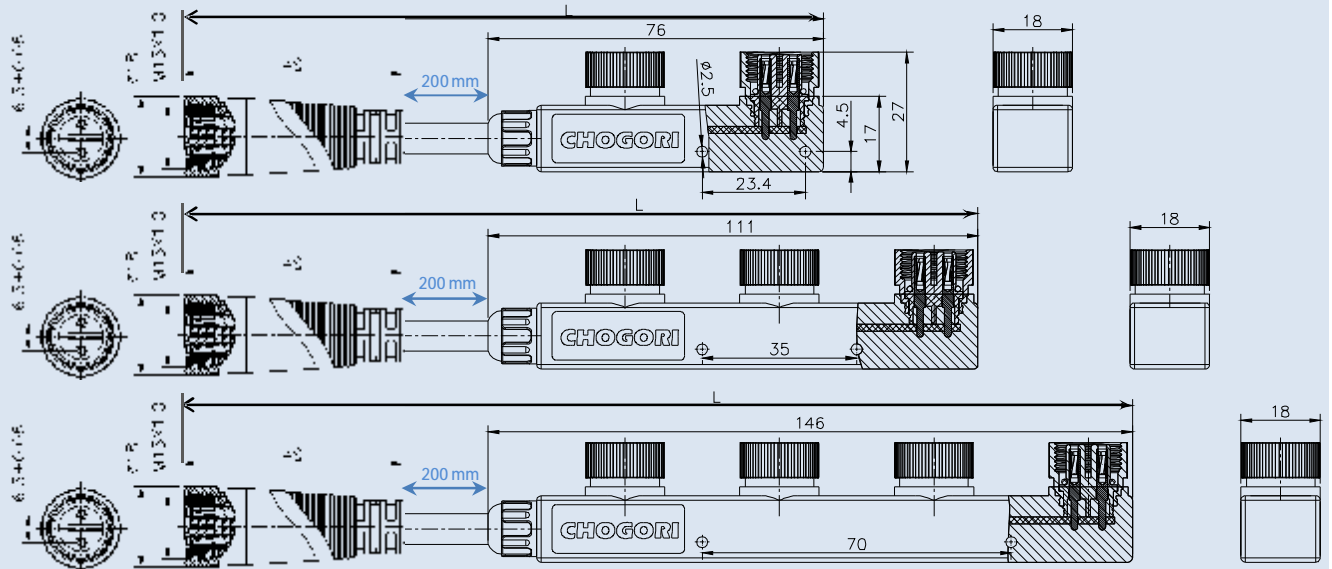
Description

Screw Lock, M15

Figure



Drawing



Part Number	Contacts	Ways	Connection Type	Part Number	Contacts	Ways	Connection Type	Part Number
	2	2	Series		F48012010-01-200	2	Parallel	
3		F48012010-02-200			F48012010-12-200			
4		F48012010-03-200			F48012010-13-200			

Specifications

Mated P/N (1PCS 48012010-01-200 is mated with 2PCS 48002113-01-200)

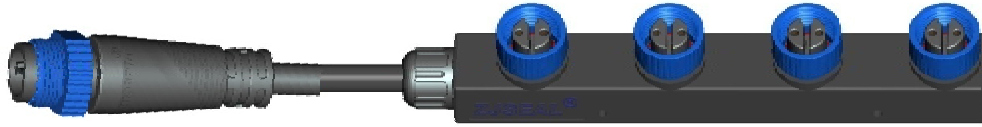
Number of Contacts	2	1*F48012010-01-200	3*48002113-01-200
Wire Gauge	1.0mm ² /17AWG	2*F48012010-02-200	4*48002113-01-200
Cable Range	VDE, CCC 2*1.0 Rubber Cable, OD=6.8mm; Cable Length=200 mm	3*F48012010-03-200	5*48002113-01-200
Degree of Protection	IP68		
Mechanical Operation	>500 mating cycles	1*F48012010-11-200	3*48002113-01-200
Lower-Upper Temperature	- 45°C ~ +105°C	1*F48012010-12-200	4*48002113-01-200
Rate Voltage	500V	1*F48012010-13-200	5*48002113-01-200
Rated Current (40°C)	10A		
Contact	Brass, Gold Plating		
Material of Housing	PA		

M15 Distributor Series

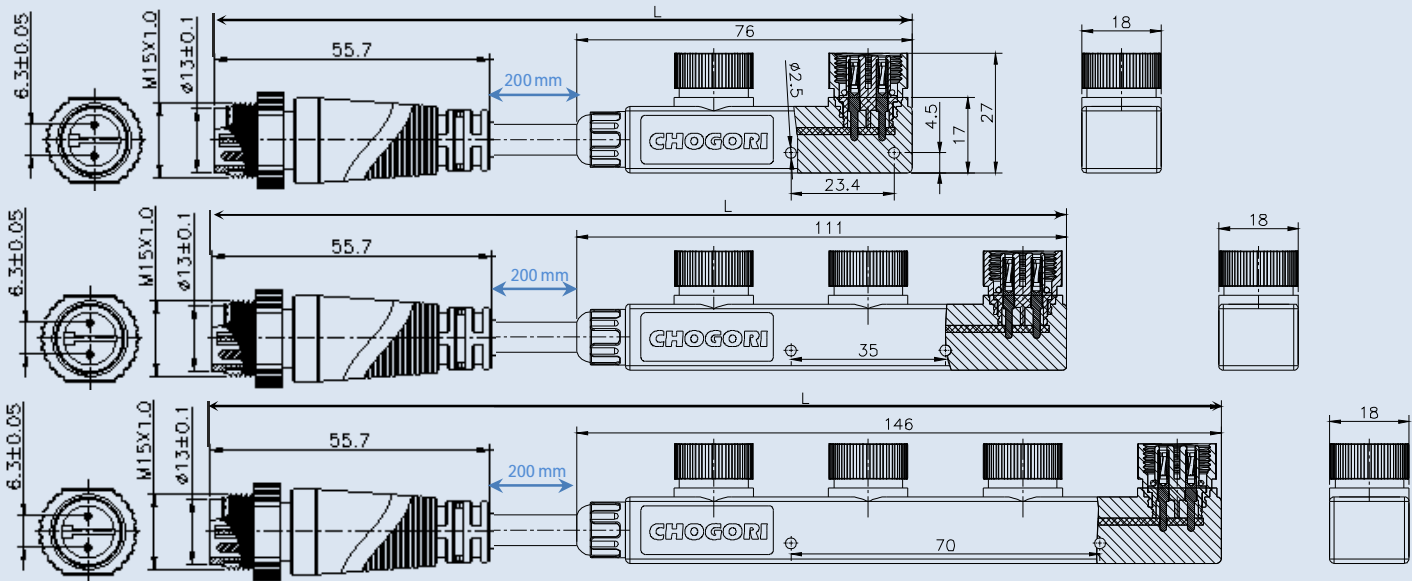
Description

Screw Lock, M15

Figure



Drawing



Part Number	Contacts	Ways	Connection Type	Part Number	Contacts	Ways	Connection Type	Part Number
	2	2	Series	M48012010-01-200	2	2	Parallel	M48012010-11-200
		3		M48012010-02-200		3		M48012010-12-200
		4		M48012010-03-200		4		M48012010-13-200

Specifications

Mated P/N (1PCS 48012010-01-200 is mated with 2PCS 48002113-01-200)

Number of Contacts	2	1*M48012010-01-200	1*48002413-01-200 + 2*48002113-01-200
Wire Gauge	1.0mm ² /17AWG	2*M48012010-02-200	1*48002413-01-200 + 3*48002113-01-200
Cable Range	VDE, CCC 2*1.0 Rubber Cable, OD=6.8mm; Cable Length=200 mm	3*M48012010-03-200	1*48002413-01-200 + 4*48002113-01-200
Degree of Protection	IP68		
Mechanical Operation	>500 mating cycles	1*M48012010-11-200	1*48002413-01-200 + 2*48002113-01-200
Lower-Upper Temperature	- 45°C ~ +105°C	2*M48012010-12-200	1*48002413-01-200 + 3*48002113-01-200
Rate Voltage	500V	3*M48012010-13-200	1*48002413-01-200 + 4*48002113-01-200
Rated Current (40°C)	10A		
Contact	Brass, Gold Plating		
Material of Housing	PA		