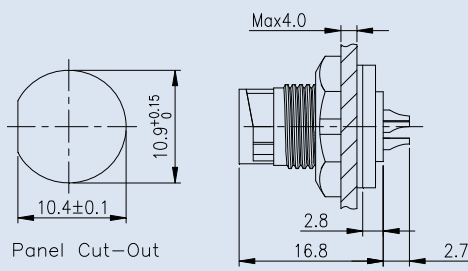
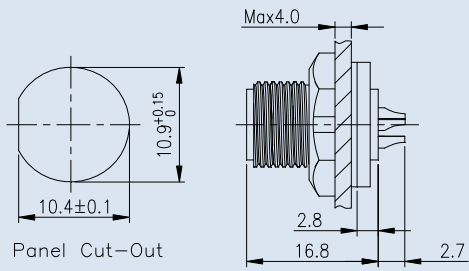


Mini Series , Front Panel Mount & Male pin

Description	Front Panel Mount Lock Bayonet Type, Solder	Front Panel Mount Screw Type, Solder
Figure		

Drawing		
---------	---	--

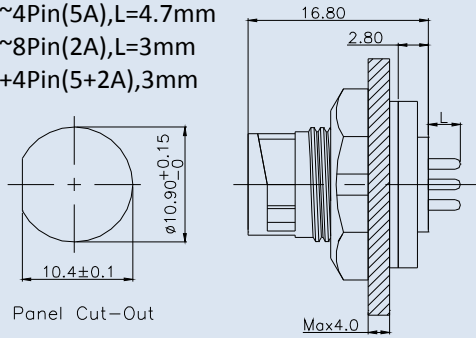
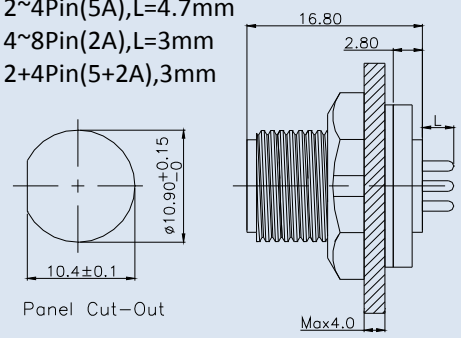
Part-No.	Contacts	Part-Number
	2	21002525-01
	3	21003525-01
	4(5A)	21004525-01
	4(2A)	21004525-02
	5	21005525-01
	6	21006525-01
	2+4	21204525-01
	7	21007525-01
	8	21008525-01

Specifications

Number of Contacts	2	3	4	4	5	6	2+4	7	8
Wire Gauge	0.519mm ² (20AWG)				0.34mm ² (22AWG)				
Panel Thickness	Max. 4.0mm								
Environmental Protection	IP67/IP68								
Mechanical Life	500 mating cycles								
Operating Temperature	- 45°C - 105°C								
Voltage Rating	110V	110V	110V	110V	50V	50V	50V	50V	50V
Rated Current(40°C)	5A	5A	5A	2A	2A	2A	5+2A	2A	2A

Mini Series , Front Panel Mount & Male pin

Description	Front Panel Mount Lock Bayonet Type, PCB	Front Panel Mount Screw Type, PCB
Figure		

Drawing	<p>2~4Pin(5A),L=4.7mm 4~8Pin(2A),L=3mm 2+4Pin(5+2A),3mm</p>  <p>Panel Cut-Out</p>	<p>2~4Pin(5A),L=4.7mm 4~8Pin(2A),L=3mm 2+4Pin(5+2A),3mm</p>  <p>Panel Cut-Out</p>
---------	--	---

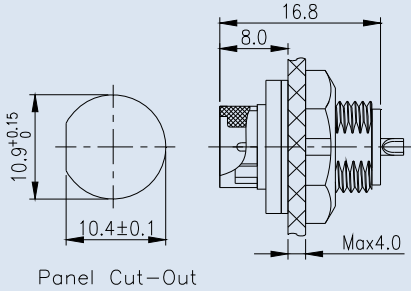
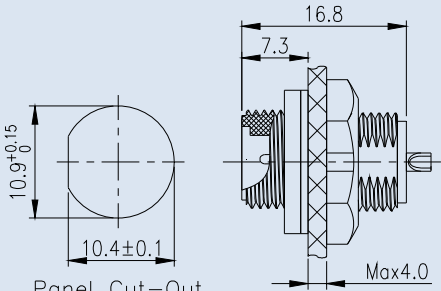
Part-No.	Lock Bayonet Type				Screw Type			
	Contacts	Part-Number	Contacts	Part-Number	Contacts	Part-Number	Contacts	Part-Number
	2	21002525-02	2	21002515-02	2	21002515-02	2	21002515-02
	3	21003525-02	3	21003515-02	3	21003515-02	3	21003515-02
	4(2A)	21004525-05	4(2A)	21004515-05	4(2A)	21004515-05	4(2A)	21004515-05
	4(5A)	21004525-06	4(5A)	21004515-06	4(5A)	21004515-06	4(5A)	21004515-06
	5	21005525-02	5	21005515-02	5	21005515-02	5	21005515-02
	6	21006525-02	6	21006515-02	6	21006515-02	6	21006515-02
	2+4	21204525-02	2+4	21204515-02	2+4	21204515-02	2+4	21204515-02
	7	21007525-02	7	21007515-02	7	21007515-02	7	21007515-02
	8	21008525-02	8	21008515-02	8	21008515-02	8	21008515-02

Specifications

Number of Contacts	2	3	4	4	5	6	2+4	7	8
Wire Gauge	0.519mm ² (20AWG)				0.34mm ² (22AWG)				
Panel Thickness	Max. 4.0mm								
Environmental Protection	IP67/IP68								
Mechanical Life	500 mating cycles								
Operating Temperature	- 45°C - 105°C								
Voltage Rating	110V	110V	110V	110V	50V	50V	50V	50V	50V
Rated Current(40°C)	5A	5A	5A	2A	2A	2A	5+2A	2A	2A

Mini Series , Rear Panel Mount & Male pin

Description	Rear Panel Mount Lock Bayonet Type, Solder	Rear Panel Mount Screw Type, Solder
Figure		



Drawing	 <p>Panel Cut-Out</p>	 <p>Panel Cut-Out</p>
---------	--	---

Part-No.	Contacts	Part-Number
	2	21002525-03
	3	21003525-03
	4(5A)	21004525-03
	4(2A)	21004525-04
	5	21005525-03
	6	21006525-03
	2+4	21204525-03
	7	21007525-03
	8	21008525-03

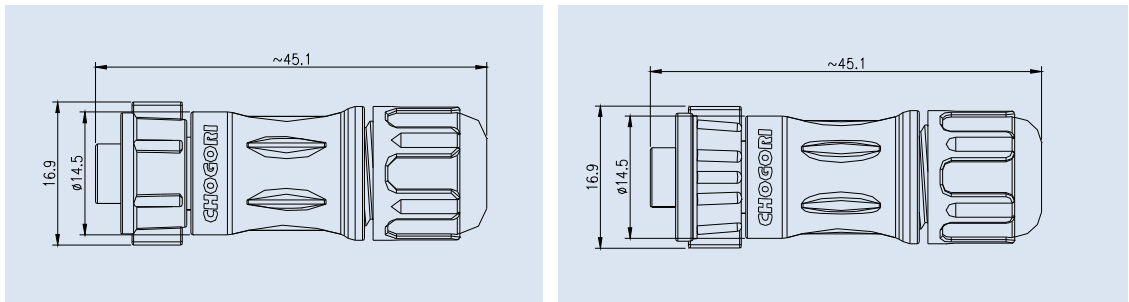
Specifications

Number of Contacts	2	3	4	4	5	6	2+4	7	8
Wire Gauge	0.519mm ² (20AWG)				0.34mm ² (22AWG)				
Panel Thickness	Max. 4.0mm								
Environmental Protection	IP67/IP68								
Mechanical Life	500 mating cycles								
Operating Temperature	- 45°C - 105°C								
Voltage Rating	110V	110V	110V	110V	50V	50V	50V	50V	50V
Rated Current(40°C)	5A	5A	5A	2A	2A	2A	5+2A	2A	2A

Mini Series, Male connector & Female pin

Description	Field Installable, 180° Lock Bayonet Type, Solder	Field Installable, 180° Screw Type, Solder
Figure		

Drawing



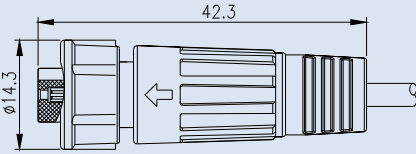
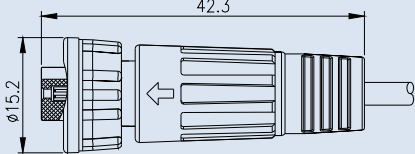
Part-No.	Male Connector			Female Pin Connector		
	Contacts	Cable Range(mm)	Part-Number	Contacts	Cable Range(mm)	Part-Number
	2	3.5 - 6.8	21002221-01	2	3.5 - 6.8	21002211-01
	3	3.5 - 6.8	21003221-01	3	3.5 - 6.8	21003211-01
	4(5A)	3.5 - 6.8	21004221-01	4(5A)	3.5 - 6.8	21004211-01
	4(2A)	3.5 - 6.8	21004221-02	4(2A)	3.5 - 6.8	21004211-02
	5	3.5 - 6.8	21005221-01	5	3.5 - 6.8	21005211-01
	6	3.5 - 6.8	21006221-01	6	3.5 - 6.8	21006211-01
	2+4	3.5 - 6.8	21204221-01	2+4	3.5 - 6.8	21204211-01
	7	3.5 - 6.8	21007221-01	7	3.5 - 6.8	21007211-01
	8	3.5 - 6.8	21008221-01	8	3.5 - 6.8	21008211-01

Specifications

Number of Contacts	2	3	4	4	5	6	2+4	7	8
Wire Gauge	0.519mm ² (20AWG)				0.34mm ² (22AWG)				
Cable Range	3.5mm - 6.8mm								
Environmental Protection	IP67/IP68								
Mechanical Life	500 mating cycles								
Operating Temperature	- 45°C - 105°C								
Voltage Rating	110V	110V	110V	110V	50V	50V	50V	50V	50V
Rated Current(40°C)	5A	5A	5A	2A	2A	2A	5+2A	2A	2A

Mini Series , Male connector & Female pin

Description	Molded, 180° Lock Bayonet Type, Solder	Molded, 180° Screw Type, Solder
Figure		

Drawing		
---------	---	--

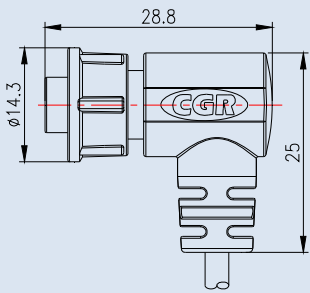
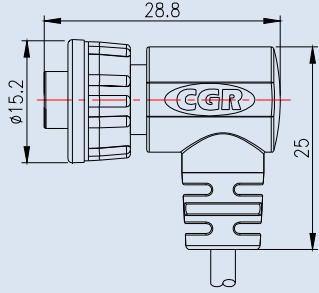
Part-No.	Male Connector			Female Connector		
	Contacts	Cable Range(mm)	Part-Number	Contacts	Cable Range(mm)	Part-Number
	2	max7.2	21002223-01-XXX	2	max7.2	21002213-01-XXX
	3	max7.2	21003223-01-XXX	3	max7.2	21003213-01-XXX
	4(5A)	max7.2	21004223-01-XXX	4(5A)	max7.2	21004213-01-XXX
	4(2A)	max7.2	21004223-02-XXX	4(2A)	max7.2	21004213-02-XXX
	5	max7.2	21005223-01-XXX	5	max7.2	21005213-01-XXX
	6	max7.2	21006223-01-XXX	6	max7.2	21006213-01-XXX
	2+4	max7.2	21204223-01-XXX	2+4	max7.2	21204213-01-XXX
	7	max7.2	21007223-01-XXX	7	max7.2	21007213-01-XXX
	8	max7.2	21008223-01-XXX	8	max7.2	21008213-01-XXX

Specifications

Number of Contacts	2	3	4	4	5	6	2+4	7	8
Wire Gauge	0.519mm ² (20AWG)			0.34mm ² (22AWG)					
Cable Range	Max. 7.2mm								
Environmental Protection	IP67								
Mechanical Life	500 mating cycles								
Operating Temperature	- 40°C - 80°C								
Voltage Rating	110V	110V	110V	110V	50V	50V	50V	50V	50V
Rated Current(40°C)	5A	5A	5A	2A	2A	2A	5+2A	2A	2A

Mini Series , Male connector & Female pin

Description	Molded, 90° Lock Bayonet Type, Solder	Molded, 90° Screw Type, Solder
Figure		

Drawing		
---------	---	---

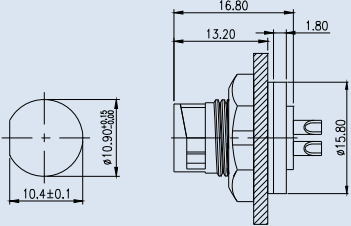
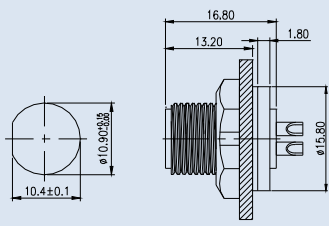
Part-No.	Male Connector			Female Pin		
	Contacts	Cable Range(mm)	Part-Number	Contacts	Cable Range(mm)	Part-Number
	2	max7.2	21002224-01-XXX	2	max7.2	21002214-01-XXX
	3	max7.2	21003224-01-XXX	3	max7.2	21003214-01-XXX
	4(5A)	max7.2	21004224-01-XXX	4(5A)	max7.2	21004214-01-XXX
	4(2A)	max7.2	21004224-02-XXX	4(2A)	max7.2	21004214-02-XXX
	5	max7.2	21005224-01-XXX	5	max7.2	21005214-01-XXX
	6	max7.2	21006224-01-XXX	6	max7.2	21006214-01-XXX
	2+4	max7.2	21204224-01-XXX	2+4	max7.2	21204214-01-XXX
	7	max7.2	21007224-01-XXX	7	max7.2	21007214-01-XXX
	8	max7.2	21008224-01-XXX	8	max7.2	21008214-01-XXX

Specifications

Number of Contacts	2	3	4	4	5	6	2+4	7	8
Wire Gauge	0.519mm ² (20AWG)				0.34mm ² (22AWG)				
Cable Range	Max. 7.2mm								
Environmental Protection	IP67								
Mechanical Life	500 mating cycles								
Operating Temperature	- 40°C - 80°C								
Voltage Rating	110V	110V	110V	110V	50V	50V	50V	50V	50V
Rated Current(40°C)	5A	5A	5A	2A	2A	2A	5+2A	2A	2A

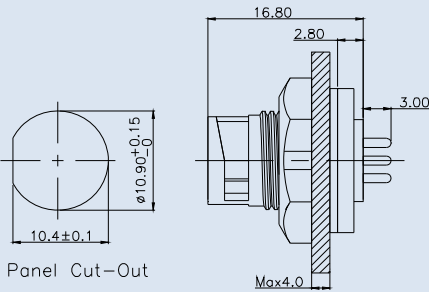
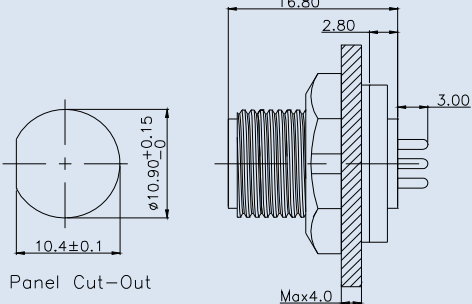
Mini Series , Front Panel Mount & Female pin

Description	Front Panel Mount Lock Bayonet Type, Solder	Front Panel Mount Screw Type, Solder
	Figure	
		

Drawing		

Part-No.	Contacts	Part-Number	Contacts	Part-Number
		2	21002625-01	2
	3	21003625-01	3	21003615-01
	4	21004625-01	4	21004615-01



Description	Front Panel Mount Lock Bayonet Type, PCB	Front Panel Mount Screw Type, PCB
	Figure	
		

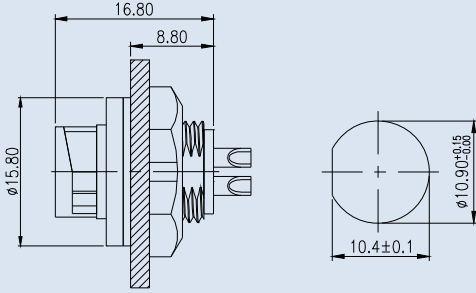
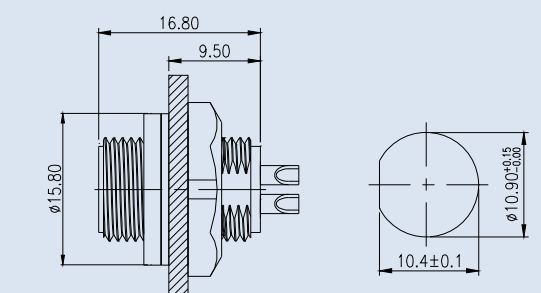
Drawing		

Part-No.	Contacts	Part-Number	Contacts	Part-Number
		2	21002625-02	2
	3	21003625-02	3	21003615-02
	4	21004625-02	4	21004615-02

Specifications			
Number of Contacts	2	3	4
Wire Gauge	0.519mm2 (20AWG)		
Panel Thickness	Max. 4.0mm		
Environmental Protection	IP67/IP68		
Mechanical Life	500 mating cycles		
Operating Temperature	- 45°C - 105°C		
Voltage Rating	50V		
Rated Current(40°C)	5A		

Mini Series , Rear Panel Mount & Female pin

<p>Description</p> <p>Figure</p>	<p>Rear Panel Mount Lock Bayonet Type, Solder</p> 	<p>Rear Panel Mount Screw Type, Solder</p> 
----------------------------------	---	--

<p>Drawing</p>		
----------------	---	--

Part-No.	Contacts	Part-Number	Contacts	Part-Number
	2	21002625-03	2	21002615-03
	3	21003625-03	3	21003615-03
	4	21004625-03	4	21004615-03

Specifications

Number of Contacts	2	3	4
Wire Gauge	0.519mm2 (20AWG)		
Panel Thickness	Max. 4.0mm		
Environmental Protection	IP67/IP68		
Mechanical Life	500 mating cycles		
Operating Temperature	- 45°C - 105°C		
Voltage Rating	50V		
Rated Current(40°C)	5A		

MINI Series Specifications

Description

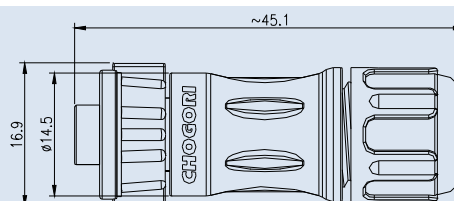
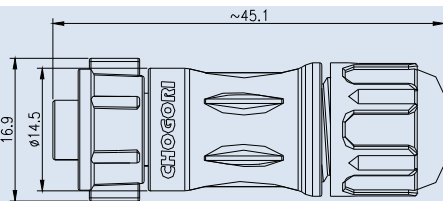
Field Installable, 180°
Lock Bayonet Type, Solder

Field Installable, 180°
Screw Type, Solder

Figure



Drawing



Part-No.

Contacts	Cable Range(mm)	Part-Number
2	3.5 - 6.8	21002121-01
3	3.5 - 6.8	21003121-01
4	3.5 - 6.8	21004121-01

Contacts	Cable Range(mm)	Part-Number
2	3.5 - 6.8	21002111-01
3	3.5 - 6.8	21003111-01
4	3.5 - 6.8	21004111-01

Description

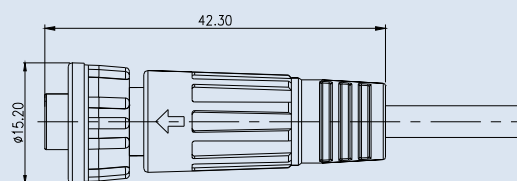
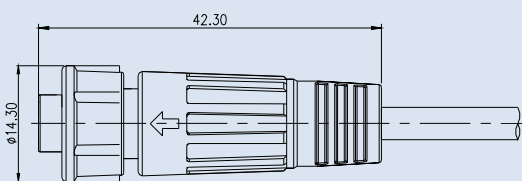
Molded, 180°
Lock Bayonet Type, Solder

Molded, 180°
Screw Type, Solder

Figure



Drawing



Part-No.

Contacts	Cable Range(mm)	Part-Number
2	3.5 - 6.8	21002123-01-XXX
3	3.5 - 6.8	21003123-01-XXX
4	3.5 - 6.8	21004123-01-XXX

Contacts	Cable Range(mm)	Part-Number
2	3.5 - 6.8	21002113-01-XXX
3	3.5 - 6.8	21003113-01-XXX
4	3.5 - 6.8	21004113-01-XXX

Specifications

	2	3	4
Number of Contacts	2	3	4
Wire Gauge	0.519mm2 (20AWG)		
Cable Range	3.5mm - 6.8mm		
Environmental Protection	IP67		
Mechanical Life	500 mating cycles		
Operating Temperature	- 40°C - 80°C		
Voltage Rating	50V		
Rated Current(40°C)	5A		

Mini Series , Male connector & Male pin

Description

Molded, 90°
Lock Bayonet Type, Solder

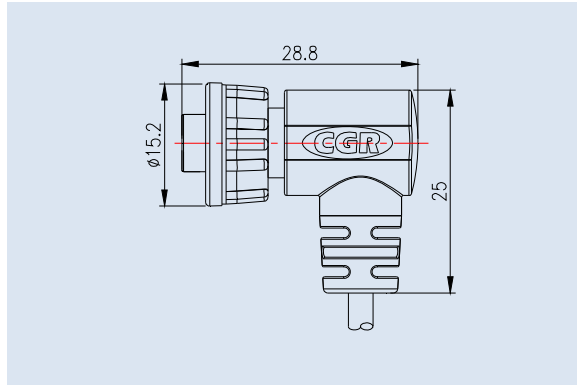
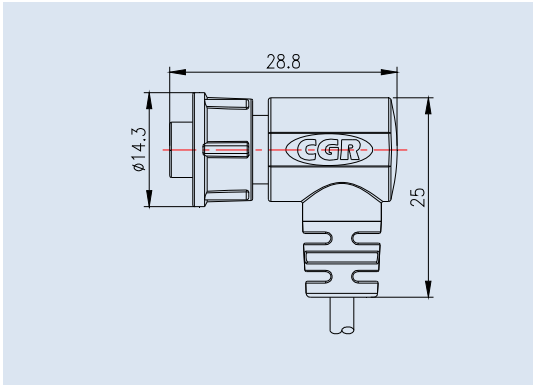
Description

Molded, 90°
Screw Type, Solder

Figure



Drawing



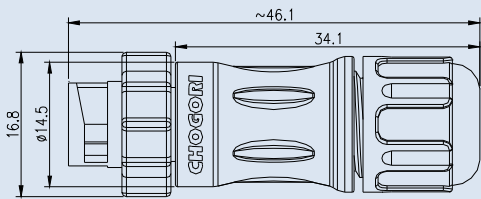
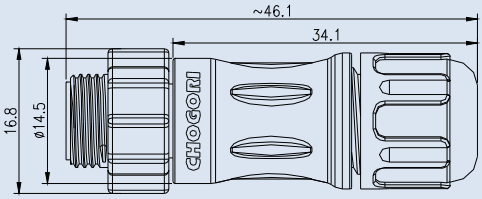
Part-No.	Contacts	Cable Range(mm)	Part-Number	Contacts	Cable Range(mm)	Part-Number
		2	Max. 7.2	21002124-01-XXX	2	Max. 7.2
	3	Max. 7.2	21003124-01-XXX	3	Max. 7.2	21003114-01-XXX
	4	Max. 7.2	21004124-01-XXX	4	Max. 7.2	21004114-01-XXX

Specifications

Number of Contacts	2	3	4
Wire Gauge	0.34mm ² (22AWG)		
Cable Range	Max.7.2mm		
Environmental Protection	IP67		
Mechanical Life	500 mating cycles		
Operating Temperature	- 40℃ - 80℃		
Voltage Rating	50V		
Rated Current(40℃)	5A		

Mini Series , Female connector & Male pin



Description	Field Installable, 180° Lock Bayonet Type, Solder	Field Installable, 180° Screw Type, Solder
Figure		

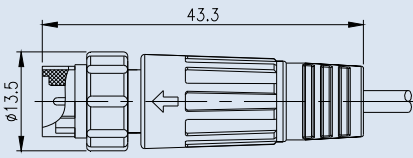
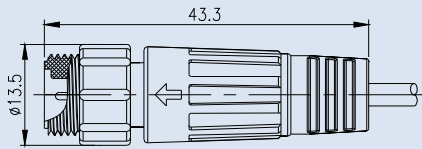
Drawing		
---------	---	--

Part-No.	Female Connector			Male Pin		
	Contacts	Cable Range(mm)	Part-Number	Contacts	Cable Range(mm)	Part-Number
	2	3.5 - 6.8	21002321-01	2	3.5 - 6.8	21002311-01
	3	3.5 - 6.8	21003321-01	3	3.5 - 6.8	21003311-01
	4(5A)	3.5 - 6.8	21004321-01	4(5A)	3.5 - 6.8	21004311-01
	4(2A)	3.5 - 6.8	21004321-02	4(2A)	3.5 - 6.8	21004311-02
	5	3.5 - 6.8	21005321-01	5	3.5 - 6.8	21005311-01
	6	3.5 - 6.8	21006321-01	6	3.5 - 6.8	21006311-01
	2+4	3.5 - 6.8	21204321-01	2+4	3.5 - 6.8	21204311-01
	7	3.5 - 6.8	21007321-01	7	3.5 - 6.8	21007311-01
	8	3.5 - 6.8	21008321-01	8	3.5 - 6.8	21008311-01

Specifications									
Number of Contacts	2	3	4	4	5	6	2+4	7	8
Wire Gauge	0.519mm ² (20AWG)				0.34mm ² (22AWG)				
Cable Range	3.5mm - 6.8mm								
Environmental Protection	IP67/IP68								
Mechanical Life	500 mating cycles								
Operating Temperature	- 45°C - 105°C								
Voltage Rating	110V	110V	110V	110V	50V	50V	50V	50V	50V
Rated Current(40°C)	5A	5A	5A	2A	2A	2A	5+2A	2A	2A

Mini Series , Female connector & Male pin

Description	Molded, 180° Lock Bayonet Type, Solder	Molded, 180° Screw Type, Solder
Figure		



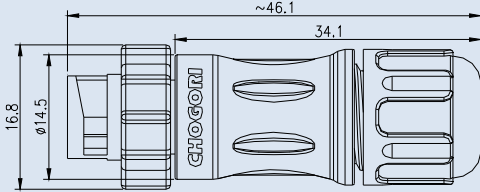
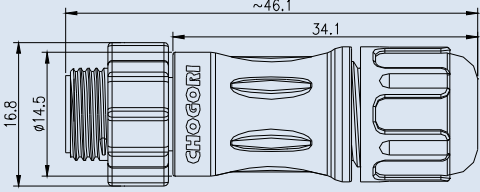
Drawing		
---------	---	--



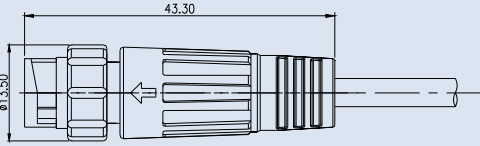
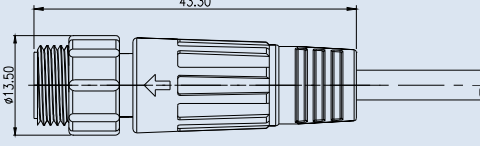
Part-No.						
	Contacts	Cable Range(mm)	Part-Number	Contacts	Cable Range(mm)	Part-Number
	2	Max. 7.2	21002323-01-XXX	2	Max. 7.2	21002313-01-XXX
	3	Max. 7.2	21003323-01-XXX	3	Max. 7.2	21003313-01-XXX
	4(5A)	Max. 7.2	21004323-01-XXX	4(5A)	Max. 7.2	21004313-01-XXX
	4(2A)	Max. 7.2	21004323-02-XXX	4(2A)	Max. 7.2	21004313-02-XXX
	5	Max. 7.2	21005323-01-XXX	5	Max. 7.2	21005313-01-XXX
	6	Max. 7.2	21006323-01-XXX	6	Max. 7.2	21006313-01-XXX
	2+4	Max. 7.2	21204323-01-XXX	2+4	Max. 7.2	21204313-01-XXX
	7	Max. 7.2	21007323-01-XXX	7	Max. 7.2	21007313-01-XXX
	8	Max. 7.2	21008323-01-XXX	8	Max. 7.2	21008313-01-XXX

Specifications

Number of Contacts	2	3	4	4	5	6	2+4	7	8
Wire Gauge	0.519mm ² (20AWG)			0.34mm ² (22AWG)					
Cable Range	Max. 7.2mm								
Environmental Protection	IP67								
Mechanical Life	500 mating cycles								
Operating Temperature	- 40°C - 80°C								
Voltage Rating	110V	110V	110V	110V	50V	50V	50V	50V	50V
Rated Current(40°C)	5A	5A	5A	2A	2A	2A	5+2A	2A	2A

Mini Series , Female connector & Female pin

Description Figure	Field Installable, 180° Lock Bayonet Type, Solder	Field Installable, 180° Screw Type, Solder																								
																										
Drawing																										
Part-No.	<table border="1"> <thead> <tr> <th>Contacts</th> <th>Cable Range(mm)</th> <th>Part-Number</th> </tr> </thead> <tbody> <tr> <td>2</td> <td>3.5 - 6.8</td> <td>21002421-01</td> </tr> <tr> <td>3</td> <td>3.5 - 6.8</td> <td>21003421-01</td> </tr> <tr> <td>4</td> <td>3.5 - 6.8</td> <td>21004421-01</td> </tr> </tbody> </table>	Contacts	Cable Range(mm)	Part-Number	2	3.5 - 6.8	21002421-01	3	3.5 - 6.8	21003421-01	4	3.5 - 6.8	21004421-01	<table border="1"> <thead> <tr> <th>Contacts</th> <th>Cable Range(mm)</th> <th>Part-Number</th> </tr> </thead> <tbody> <tr> <td>2</td> <td>3.5 - 6.8</td> <td>21002411-01</td> </tr> <tr> <td>3</td> <td>3.5 - 6.8</td> <td>21003411-01</td> </tr> <tr> <td>4</td> <td>3.5 - 6.8</td> <td>21004411-01</td> </tr> </tbody> </table>	Contacts	Cable Range(mm)	Part-Number	2	3.5 - 6.8	21002411-01	3	3.5 - 6.8	21003411-01	4	3.5 - 6.8	21004411-01
	Contacts	Cable Range(mm)	Part-Number																							
2	3.5 - 6.8	21002421-01																								
3	3.5 - 6.8	21003421-01																								
4	3.5 - 6.8	21004421-01																								
Contacts	Cable Range(mm)	Part-Number																								
2	3.5 - 6.8	21002411-01																								
3	3.5 - 6.8	21003411-01																								
4	3.5 - 6.8	21004411-01																								

Description Figure	Molded, 180° Lock Bayonet Type, Solder	Molded, 180° Screw Type, Solder																								
																										
Drawing																										
Part-No.	<table border="1"> <thead> <tr> <th>Contacts</th> <th>Cable Range(mm)</th> <th>Part-Number</th> </tr> </thead> <tbody> <tr> <td>2</td> <td>3.5 - 6.8</td> <td>21002423-01-XXX</td> </tr> <tr> <td>3</td> <td>3.5 - 6.8</td> <td>21003423-01-XXX</td> </tr> <tr> <td>4</td> <td>3.5 - 6.8</td> <td>21004423-01-XXX</td> </tr> </tbody> </table>	Contacts	Cable Range(mm)	Part-Number	2	3.5 - 6.8	21002423-01-XXX	3	3.5 - 6.8	21003423-01-XXX	4	3.5 - 6.8	21004423-01-XXX	<table border="1"> <thead> <tr> <th>Contacts</th> <th>Cable Range(mm)</th> <th>Part-Number</th> </tr> </thead> <tbody> <tr> <td>2</td> <td>3.5 - 6.8</td> <td>21002413-01-XXX</td> </tr> <tr> <td>3</td> <td>3.5 - 6.8</td> <td>21003413-01-XXX</td> </tr> <tr> <td>4</td> <td>3.5 - 6.8</td> <td>21004413-01-XXX</td> </tr> </tbody> </table>	Contacts	Cable Range(mm)	Part-Number	2	3.5 - 6.8	21002413-01-XXX	3	3.5 - 6.8	21003413-01-XXX	4	3.5 - 6.8	21004413-01-XXX
	Contacts	Cable Range(mm)	Part-Number																							
2	3.5 - 6.8	21002423-01-XXX																								
3	3.5 - 6.8	21003423-01-XXX																								
4	3.5 - 6.8	21004423-01-XXX																								
Contacts	Cable Range(mm)	Part-Number																								
2	3.5 - 6.8	21002413-01-XXX																								
3	3.5 - 6.8	21003413-01-XXX																								
4	3.5 - 6.8	21004413-01-XXX																								

Specifications

Number of Contacts	2	3	4
Wire Gauge	0.519mm ² (20AWG)		
Cable Range	3.5mm - 6.8mm		
Environmental Protection	IP67		
Mechanical Life	500 mating cycles		
Operating Temperature	- 40°C - 80°C		
Voltage Rating	50V		
Rated Current(40°C)	5A		