

**Specification:**

1. Current rating : 1A Max.
2. Dielectric withstanding voltage : 500V(AC) for 1 minute.
3. Contact resistance : 30mW Max.
4. Insulation resistance : 1000MW Min. at DC 500V.
5. Temperature range : -20°C ~ +80°C.
6. IP rate : IP 66 ~ IP68.

**HOW TO ORDER:**

MUB-□4□□-xxM  
 1 2 3 4 5 6

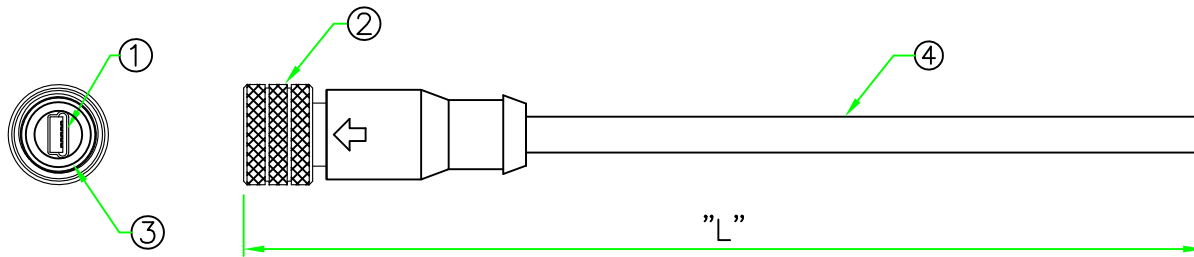
- 1- Mini USB B Type
- 2- M: Metal Ring Nut.  
P: Plastic Ring Nut.
- 3- 4: Female Connector Male Plug.
- 4- S: Straight Angle. R: Right Angle.
- 5- N: w/o SR. M: w/SR.
- 6- Length. (01M=1M,.....)

**RoHS**

<b>Wiring Diagram</b>		<p>Pin Assignment Front View</p>
1	_____ RED	
2	_____ WHITE	
3	_____ GREEN	
4	_____ NC	
5	_____ BLACK	
Shell	_____ BRAID	

MUB-5M

No.	PART NAME	DESCRIPTION	COLOR	Q'TY	REMARKS	REV.	SHEET	DWG.NO:	AP.
4	CABLE	USB 2.0 28AWGx2C+20AWGx2C, Jacket Black PVC, OD: 5.2mm.	BLACK	1		UNLESS OTHERWISE SPECIFIED TOLERANCES: x ±0.25 xx ± 0.1 xxx ± 0.05 ANGLE ± 1°x	1/1	Mini USB B 5M S/T Molded cable	
3	O-RING	NBR .	BLACK	1	O-5516-N70	SCALE 1:1		MUB-P4SN-xxM	DR. <i>jaek</i>
2	RING NUT	NYLON+GF.	BLACK	1	M12F-PN (70-135-N8)				CH. <i>ERJE</i>
1	CONNECTOR	MINI USB B TYPE MALE 5 Pin Connector.	BLACK	1				MUB-P4SN-xxM	



**Specification:**

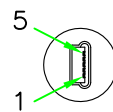
1. Current rating : 1A Max.
2. Dielectric withstanding voltage : 500V(AC) for 1 minute.
3. Contact resistance : 30mW Max.
4. Insulation resistance : 1000MW Min. at DC 500V.
5. Temperature range : -20°C ~ +80°C.
6. IP rate : IP 66 ~ IP68.

**HOW TO ORDER:**

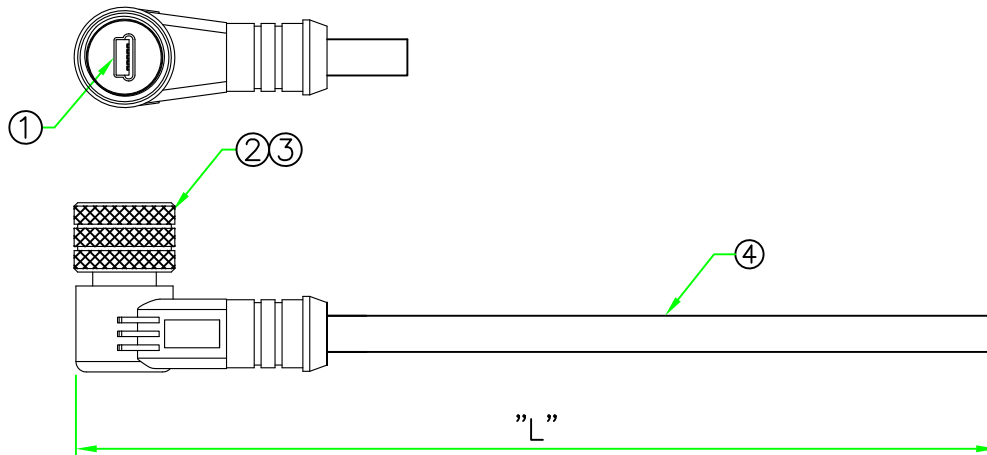
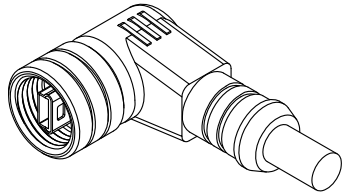
MUB-□4□□-xxM  
 1 2345 6

- 1- Mini USB B Type
- 2- M: Metal Ring Nut.  
P: Plastic Ring Nut.
- 3- 4: Female Connector Male Plug.
- 4- S: Straight Angle. R: Right Angle.
- 5- N: w/o SR. M: w/SR.
- 6- Length. (01M=1M,.....)

**RoHS**

<p style="text-align: center;">Wiring Diagram</p> <table style="width: 100%; border-collapse: collapse;"> <tr><td style="width: 10px;">1</td><td style="width: 100px;">_____</td><td>RED</td></tr> <tr><td>2</td><td>_____</td><td>WHITE</td></tr> <tr><td>3</td><td>_____</td><td>GREEN</td></tr> <tr><td>4</td><td>_____</td><td>NC</td></tr> <tr><td>5</td><td>_____</td><td>BLACK</td></tr> <tr><td>Shell</td><td>_____</td><td>BRAID</td></tr> </table>	1	_____	RED	2	_____	WHITE	3	_____	GREEN	4	_____	NC	5	_____	BLACK	Shell	_____	BRAID	 <p>Pin Assignment Front View</p>
1	_____	RED																	
2	_____	WHITE																	
3	_____	GREEN																	
4	_____	NC																	
5	_____	BLACK																	
Shell	_____	BRAID																	

MUB-5M									
4	CABLE	USB 2.0 28AWGx2C+20AWGx2C, Jacket Black PVC, OD: 5.2mm.	BLACK	1			UNIT: mm	TITLE Mini USB B 5M S/T Molded cable	
3	O-RING	NBR .	BLACK	1	O-5516-N70		SCALE	1:1	
2	RING NUT	BRASS, NICKEL PLATED.		1	M12F-RN	UNLESS OTHERWISE SPECIFIED TOLERANCES: X ±0.25 XX ±0.1 XXX ±0.05 ANGLE ± 1°X		P/N: MUB-M4SN-xxM	DR. <i>jaek</i> CH. <i>ERJE</i>
1	CONNECTOR	MINI USB B TYPE MALE 5 Pin Connector.	BLACK	1		REV. A	SHEET 1/1	DWG.NO: MUB-M4SN-xxM	AP.
No.	PART NAME	DESCRIPTION	COLOR	Q'TY	REMARKS				



**Specification:**

1. Current rating : 1A Max.
2. Dielectric withstanding voltage : 500V(AC) for 1 minute.
3. Contact resistance : 30mW Max.
4. Insulation resistance : 1000MW Min. at DC 500V.
5. Temperature range : -20°C ~ +80°C.
6. IP rate : IP 66 ~ IP68.

**HOW TO ORDER:**

MUB-□4□□-xxM  
 1 2345 6

- 1- Mini USB B Type
- 2- M: Metal Ring Nut.  
P: Plastic Ring Nut.
- 3- 4: Female Connector Male Plug.
- 4- S: Straight Angle. R: Right Angle.
- 5- N: w/o SR. M: w/SR.
- 6- Length. (01M=1M,.....)

**RoHS**

<b>Wiring Diagram</b>		 <b>Pin Assignment Front View</b>
1	_____ RED	
2	_____ WHITE	
3	_____ GREEN	
4	_____ NC	
5	_____ BLACK	
Shell	_____ BRAID	

MUB-5M

No.	PART NAME	DESCRIPTION	COLOR	Q'TY	REMARKS	REV.	SHEET	DWG.NO:	AP.
4	CABLE	USB 2.0 28AWGx2C+20AWGx2C, Jacket Black PVC, OD: 5.2mm.	BLACK	1		⊕	UNIT: mm	<b>TITLE</b> Mini USB B 5M R/A Molded cable	
3	O-RING	NBR .	BLACK	1	O-5516-N70	SCALE	1:1		
2	RING NUT	BRASS, NICKEL PLATED.		1	M12F-RN	UNLESS OTHERWISE SPECIFIED TOLERANCES: x ±0.25 xx ± 0.1 xxx ± 0.05 ANGLE ± 1°X		<b>P/N:</b> MUB-M4RN-xxM	<b>DR.</b> JAEK <b>CH.</b> ERJE
1	CONNECTOR	MINI USB B TYPE MALE 5 Pin Connector.	BLACK	1		A	1/1		MUB-M4RN-xxM