
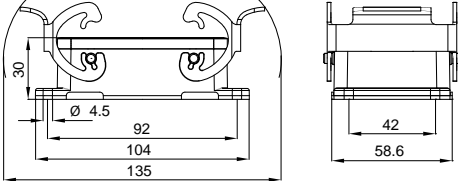

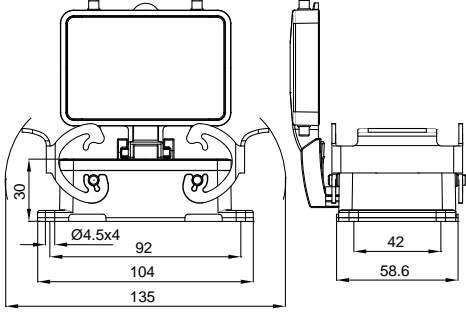

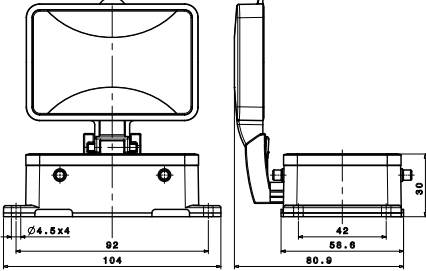
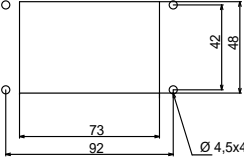

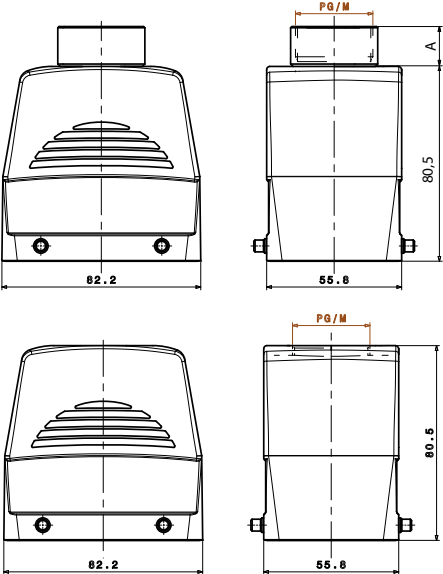
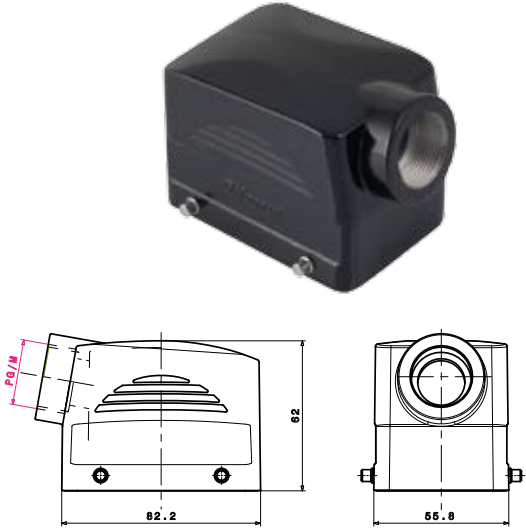
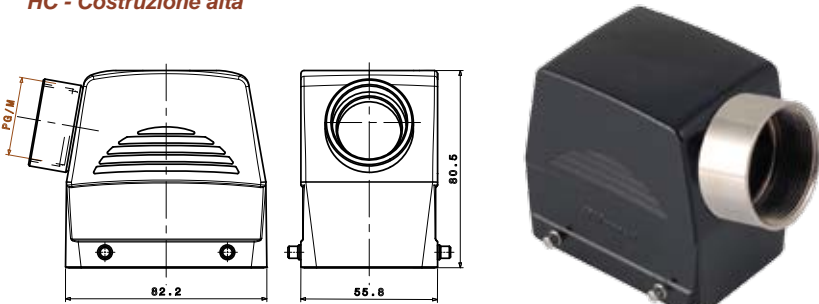
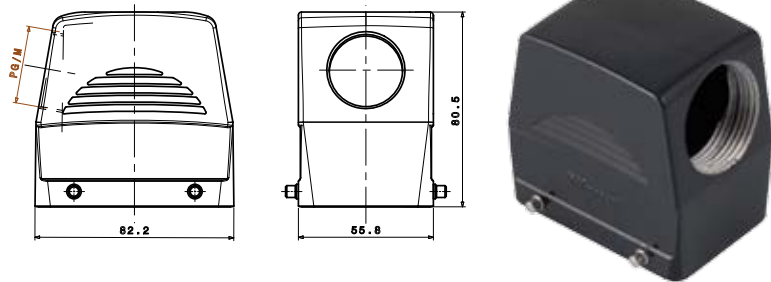

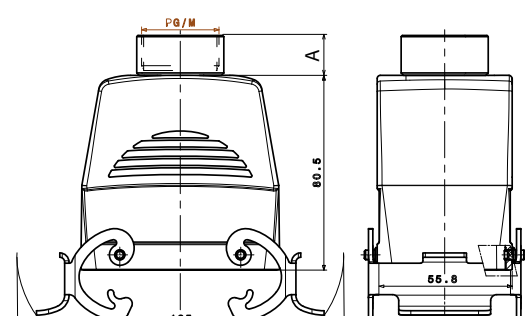
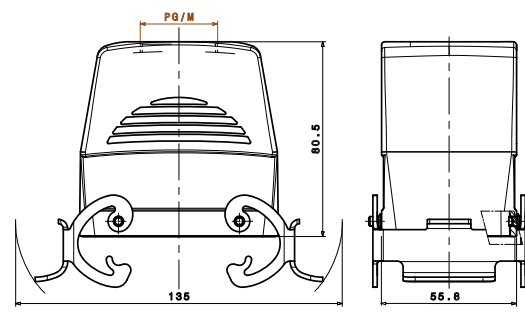

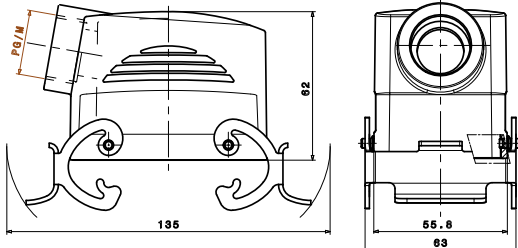

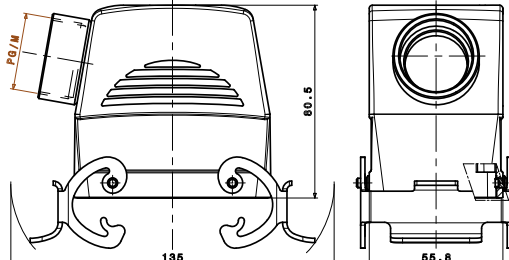

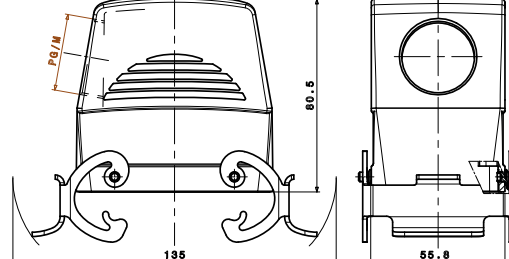


Bulkhead mounting housings, size 32A «66x40» <i>Custodie da incasso , grandezza 32A «66x40»</i>	No. of poles <i>No. poli *</i>	Part No. <i>Codice</i>
<p><b>With double lever</b> <i>Con doppia leva</i></p> <p><b>For harsh environmental requirements</b> <i>Per ambienti aggressivi</i></p>   <p><b>With double levers and cover</b> <i>Con doppia leva e coperchio</i></p>  	<p>32</p> <p>32</p>	<p>With double levers <i>Con doppia leva</i></p> <p>7832.4631.1</p> <p>With double levers and cover <i>Con doppia leva e coperchio</i></p> <p>7832.4705.1</p> <p>IP66 protection degree <i>Grado di protezione IP66</i></p>
<p><b>Reversed with 4 pegs and cover</b> <i>Rovesciata con 4 perni e coperchio</i></p>  	<p>32</p>	<p>7832.4633.1</p> <p>Reversed with 4 pegs and cover <i>Rovesciati con 4 perni e coperchio</i></p>
<p><b>CE</b> <b>RoHS</b> <b>UL</b> <b>US Type 4/4x/12</b> <b>SP</b></p> <ul style="list-style-type: none"> <li>- <b>Type:</b> HE for harsh environmental requirements and inserts up to 500V series: S-A, S-D <i>Tipo: HE per ambienti aggressivi ed inserti fino a 500V serie: S-A, S-D</i></li> <li>- IP66/IP69 protection degree, with locking levers only <i>Grado di protezione IP66/IP69, solo con leve di chiusura</i></li> <li>- Metal cover with stainless steel lever, spring, screws and pegs. <i>Coperchio metallico con leva, molla, viti e perni in acciaio inox</i></li> </ul> <p>* Number of poles with S-A inserts <i>Numero di poli con inserti S-A</i></p>  <p><b>Panel cut out</b> <i>Foratura del pannello</i></p>	<p><b>Remarks:</b> The enclosures assure an IP66/ IP69 degree of protection when coupled and blocked by the levers. The cover only provides mechanical protection and does not assure an IP degree of protection.</p> <p><b>Avvertenza:</b> <i>Le custodie garantiscono il grado di protezione IP66/IP69 quando sono accoppiate e bloccate tramite le leve di chiusura. Il coperchio determina solo una protezione meccanica senza assicurare il grado di protezione IP.</i></p>	

<p>Hoods top entry with 4 pegs for 2 levers, size 32A «66x40»  <i>Custodie con ingresso verticale con 4 perni per 2 leve, grandezza 32A «66x40»</i></p>	<p>Thread  <i>Filettatura</i></p>	<p>No. of poles  <i>No. poli *</i></p>	<p>Part No.  <i>Codice</i></p>																						
<p style="text-align: center;"><b>For harsh environmental requirements</b>  <i>Per ambienti aggressivi</i></p> 			<p style="text-align: center;"><b>With threaded fitting</b>  <i>Con raccordo filettato</i></p> <table border="1"> <tr><td>M 25</td><td>32</td><td>7832.4641.1</td></tr> <tr><td>M 32</td><td>32</td><td>7832.4642.1</td></tr> <tr><td>Pg 21</td><td>32</td><td>7832.4643.1</td></tr> <tr><td>Pg 29</td><td>32</td><td>7832.4644.1</td></tr> </table>	M 25	32	7832.4641.1	M 32	32	7832.4642.1	Pg 21	32	7832.4643.1	Pg 29	32	7832.4644.1										
M 25	32	7832.4641.1																							
M 32	32	7832.4642.1																							
Pg 21	32	7832.4643.1																							
Pg 29	32	7832.4644.1																							
<p><b>With threaded fitting part No. "1"</b>  <i>Con raccordo filettato cod. "1"</i></p> <p><b>Without threaded fitting part No. "6"</b>  <i>For IP68 metal cable gland</i>  <i>Senza raccordo filettato cod. "6"</i>  <i>Per pressacavi IP68</i></p>																									
<p><b>HC - High construction</b>  <i>HC - Costruzione alta</i></p>  <table border="1" data-bbox="727 1070 935 1279"> <thead> <tr> <th>Thread <i>Filettatura</i></th> <th>A</th> </tr> </thead> <tbody> <tr><td>M 25</td><td>13</td></tr> <tr><td>M 32</td><td>14,5</td></tr> <tr><td>Pg21</td><td>13</td></tr> <tr><td>Pg29</td><td>14,5</td></tr> </tbody> </table>	Thread <i>Filettatura</i>	A	M 25	13	M 32	14,5	Pg21	13	Pg29	14,5	<table border="1"> <tbody> <tr><td>M 25</td><td>32</td><td>7832.4641.6</td></tr> <tr><td>M 32</td><td>32</td><td>7832.4642.6</td></tr> <tr><td>Pg 21</td><td>32</td><td>7832.4643.6</td></tr> <tr><td>Pg 29</td><td>32</td><td>7832.4644.6</td></tr> </tbody> </table>	M 25	32	7832.4641.6	M 32	32	7832.4642.6	Pg 21	32	7832.4643.6	Pg 29	32	7832.4644.6		<p style="text-align: center;"><b>Without threaded fitting</b>  <i>Senza raccordo filettato</i></p>
Thread <i>Filettatura</i>	A																								
M 25	13																								
M 32	14,5																								
Pg21	13																								
Pg29	14,5																								
M 25	32	7832.4641.6																							
M 32	32	7832.4642.6																							
Pg 21	32	7832.4643.6																							
Pg 29	32	7832.4644.6																							
<p><b>CE</b> <b>RoHS</b> <b>C</b> <b>UL</b> <b>US Type 4/4x/12</b> <b>SP</b></p> <ul style="list-style-type: none"> <li>- <b>Type:</b> HE for harsh environmental requirements and inserts up to 500V series: S-A, S-D  <i>Tipo: HE per ambienti aggressivi ed inserti fino a 500V serie: S-A, S-D</i></li> <li>- IP66 / IP69 protection degree  <i>Grado di protezione IP66 / IP69</i></li> <li>- With threaded fitting for IP66 and IP68 cable gland, part number "1"  <i>Con raccordo filettato per pressacavi IP66 e IP68, codice "1"</i></li> <li>- Without threaded fitting recommended for IP68 cable glands, part no. "6"  <i>Senza raccordo filettato raccomandato per pressacavi IP68, codice "6"</i></li> </ul> <p>* Number of poles with S-A inserts  <i>Numero di poli con inserti S-A</i></p>																									

<p>Hoods side entry with 4 pegs for 2 levers, size 32A «66x40»  <i>Custodie con ingresso orizzontale con 4 perni per 2 leve, grandezza 32A «66x40»</i></p>	<p>Thread  <i>Filettatura</i></p>	<p>No. of poles  <i>No. poli *</i></p>	<p>Part No.  <i>Codice</i></p>
<p style="color: red; text-align: center;"><b>For harsh environmental requirements</b>  <i>Per ambienti aggressivi</i></p> 	<p>M 25 M 32 Pg 21</p>	<p>32 32 32</p>	<p>7832.4647.1 7832.4648.1 7832.4649.1</p>
<p><b>HC - High construction</b>  <i>HC - Costruzione alta</i></p> 	<p>M 25 M 32 Pg 21 Pg 29</p>	<p>32 32 32 32</p>	<p style="color: red; text-align: center;"><b>With threaded fitting</b>  <i>Con raccordo filettato</i></p> <p>7832.4651.1 7832.4652.1 7832.4653.1 7832.4654.1</p>
 <p><b>CE</b> <b>RoHS</b> <b>C</b> <b>RU</b> <b>US Type 4/4x/12</b> <b>SA</b></p> <ul style="list-style-type: none"> <li>- <b>Type:</b> HE for harsh environmental requirements and inserts up to 500V series: S-A, S-D  <i>Tipo: HE per ambienti aggressivi ed inserti fino a 500V serie: S-A, S-D</i></li> <li>- IP66 / IP69 protection degree  <i>Grado di protezione IP66 / IP69</i></li> <li>- With threaded fitting for IP66 and IP68 cable gland, part number "1"  <i>Con raccordo filettato per pressacavi IP66 e IP68, codice "1"</i></li> <li>- Without threaded fitting recommended for IP68 cable glands, part no. "6"  <i>Senza raccordo filettato raccomandato per pressacavi IP68, codice "6"</i></li> </ul> <p>* Number of poles with S-A inserts  <i>Numero di poli con inserti S-A</i></p>	<p>M 25 M 32 Pg 21 Pg 29</p>	<p>32 32 32 32</p>	<p style="color: red; text-align: center;"><b>Without threaded fitting</b>  <i>Senza raccordo filettato</i></p> <p>7832.4651.6 7832.4652.6 7832.4653.6 7832.4654.6</p>

<p>Hoods top entry with 2 levers, size 32A «66x40»  <i>Custodie con ingresso verticale con 2 leve, grandezza 32A «66x40»</i></p>	<p>Thread  <i>Filettatura</i></p>	<p>No. of poles  <i>No. poli *</i></p>	<p>Part No.  <i>Codice</i></p>										
<p style="color: red; text-align: center;"><b>For harsh environmental requirements</b>  <i>Per ambienti aggressivi</i></p> 			<p style="color: red;"><b>With threaded fitting</b>  <i>Con raccordo filettato</i></p> <p>M 25      32      7832.4656.1</p> <p>M 32      32      7832.4657.1</p> <p>Pg 21      32      7832.4658.1</p> <p>Pg 29      32      7832.4659.1</p>										
<p>With threaded fitting part No. "1"  <i>Con raccordo filettato cod. "1"</i></p> <p>Without threaded fitting part No. "6"  <i>Senza raccordo filettato cod. "6"</i></p>  <table border="1" data-bbox="702 963 925 1187"> <thead> <tr> <th>Thread <i>Filettatura</i></th> <th>A</th> </tr> </thead> <tbody> <tr> <td>M 25</td> <td>13</td> </tr> <tr> <td>M 32</td> <td>14,5</td> </tr> <tr> <td>Pg21</td> <td>13</td> </tr> <tr> <td>Pg29</td> <td>14,5</td> </tr> </tbody> </table>	Thread <i>Filettatura</i>	A	M 25	13	M 32	14,5	Pg21	13	Pg29	14,5			<p style="color: red;"><b>Without threaded fitting</b>  <i>Senza raccordo filettato</i></p> <p>M 25      32      7832.4656.6</p> <p>M 32      32      7832.4657.6</p> <p>Pg 21      32      7832.4658.6</p> <p>Pg 29      32      7832.4659.6</p>
Thread <i>Filettatura</i>	A												
M 25	13												
M 32	14,5												
Pg21	13												
Pg29	14,5												
<p><b>HC - High construction</b>  <i>HC - Costruzione alta</i></p> 													
<p><b>CE</b> <b>RoHS</b> <b>C</b> <b>RU</b> <b>US Type 4/4x/12</b> <b>SF</b></p> <ul style="list-style-type: none"> <li>- Type: HE for harsh environmental requirements and inserts up to 500V series: S-A, S-D  <i>Tipo: HE per ambienti aggressivi ed inserti fino a 500V serie: S-A, S-D</i></li> <li>- IP66 / IP69 protection degree  <i>Grado di protezione IP66 / IP69</i></li> <li>- With threaded fitting for IP66 and IP68 cable gland, part number "1"  <i>Con raccordo filettato per pressacavi IP66 e IP68, codice "1"</i></li> <li>- Without threaded fitting recommended for IP68 cable glands, part no. "6"  <i>Senza raccordo filettato raccomandato per pressacavi IP68, codice "6"</i></li> </ul> <p>* Number of poles with S-A inserts  <i>Numero di poli con inserti S-A</i></p>													

<p>Hoods side entry with 2 levers, size 32A «66x40»  <i>Custodie con ingresso orizzontale con 2 leve, grandezza 32A «66x40»</i></p>	<p>Thread  <i>Filettatura</i></p>	<p>No. of poles  <i>No. poli *</i></p>	<p>Part No.  <i>Codice</i></p>
<p style="color: red; text-align: center;"><b>For harsh environmental requirements</b>  <i>Per ambienti aggressivi</i></p>  	<p>M 25 M 32 Pg 21</p>	<p>32 32 32</p>	<p>7832.4661.1 7832.4662.1 7832.4663.1</p>
<p><b>HC - High construction</b>  <i>HC - Costruzione alta</i></p>  	<p>M 25 M 32 Pg 21 Pg 29</p>	<p>32 32 32 32</p>	<p style="color: red; text-align: center;"><b>With threaded fitting</b>  <i>Con raccordo filettato</i></p> <p>7832.4665.1 7832.4666.1 7832.4667.1 7832.4668.1</p>
  <p><b>CE</b> <b>RoHS</b> <b>UL</b> <b>US Type 4/4x/12</b> <b>SF</b></p> <ul style="list-style-type: none"> <li>- <b>Type:</b> HE for harsh environmental requirements and inserts up to 500V series: S-A, S-D  <i>Tipo: HE per ambienti aggressivi ed inserti fino a 500V serie: S-A, S-D</i></li> <li>- IP66 / IP69 protection degree  <i>Grado di protezione IP66 / IP69</i></li> <li>- With threaded fitting for IP66 and IP68 cable gland, part number "1"  <i>Con raccordo filettato per pressacavi IP66 e IP68, codice "1"</i></li> <li>- Without threaded fitting recommended for IP68 cable glands, part no. "6"  <i>Senza raccordo filettato raccomandato per pressacavi IP68, codice "6"</i></li> </ul> <p>* Number of poles with S-A inserts  <i>Numero di poli con inserti S-A</i></p>	<p>M 25 M 32 Pg 21 Pg 29</p>	<p>32 32 32 32</p>	<p style="color: red; text-align: center;"><b>Without threaded fitting</b>  <i>Senza raccordo filettato</i></p> <p>7832.4665.6 7832.4666.6 7832.4667.6 7832.4668.6</p>