
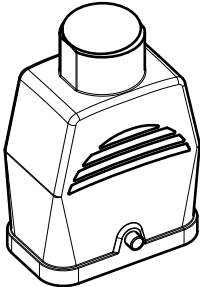
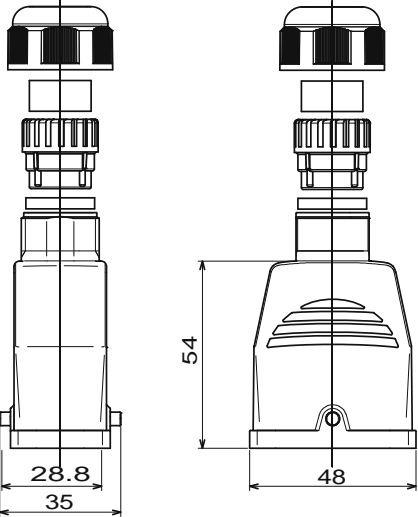
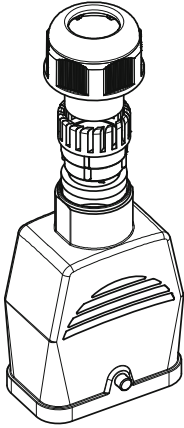




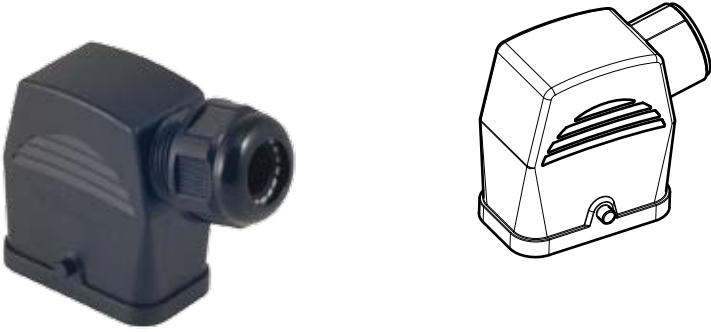
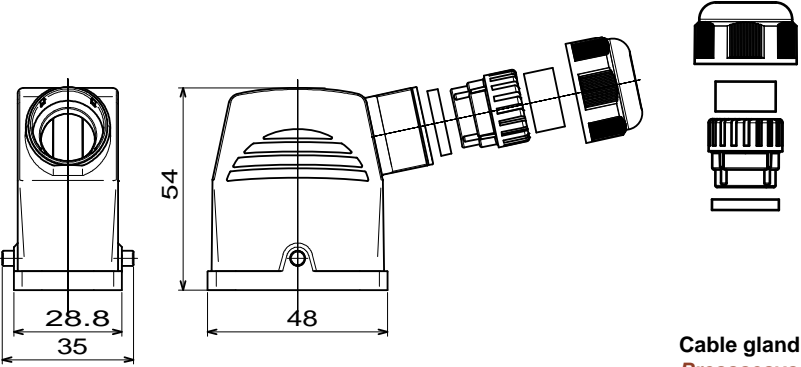
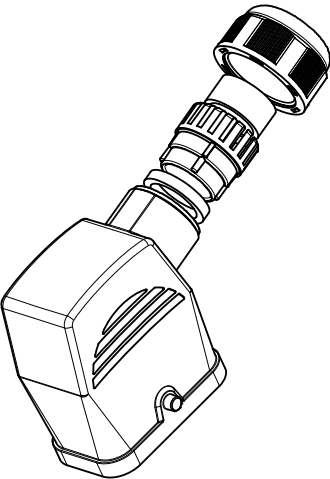

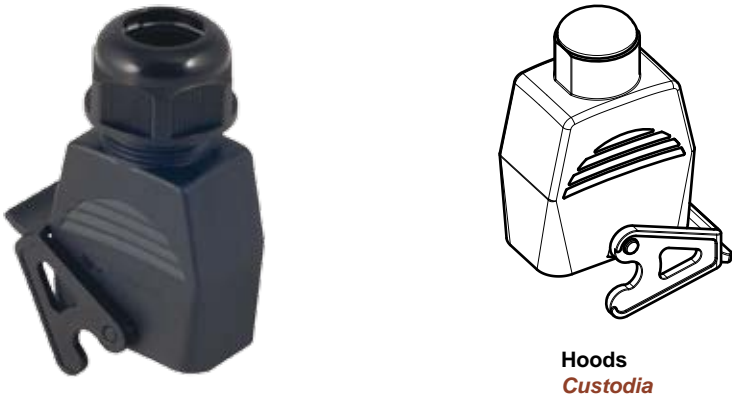
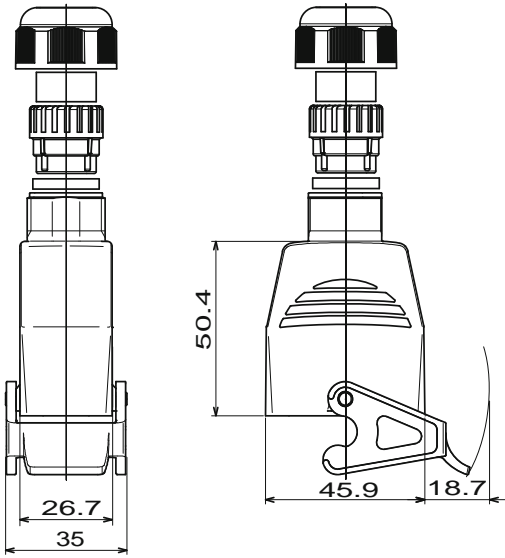
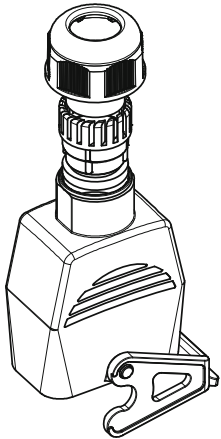


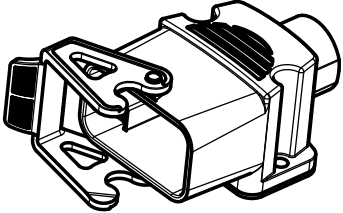
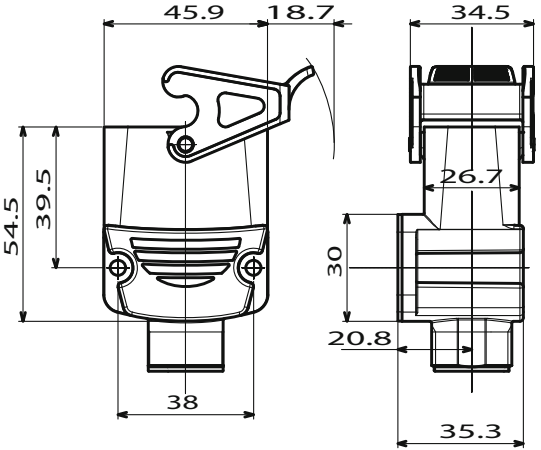

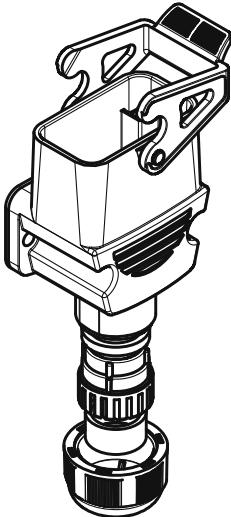



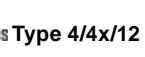



Hoods top entry - Polyamide <i>Custodie con ingresso verticale - Poliammide</i>	Type <i>Tipo</i>	Cable DIA <i>Cavo DIA</i>	Part No. <i>Codice</i>
  <p>Hood <i>Custodia</i></p>	STD STD	8 - 14 (Pg16) 11 - 18 (Pg 21)	Hoods <i>Custodie</i> 7808.6646.1 7808.6648.1
 <p>Cable gland <i>Pressacavo</i></p>	STD Plastic STD Plastic	8 - 14 (Pg16) 11 - 18 (Pg 21)	Cable glands <i>Pressacavi</i> 7000.6902.1 7000.6903.1
 <p>Hood + cable gland <i>Custodia + pressacavo</i></p> <p>     </p> <ul style="list-style-type: none"> - Type: STD for standard application - Material: Polyamide g.f. black RAL 9005 - Flammability: UL 94 V0 - IP66 / IP67 protection degree - Cable gland: Polyamide UL 94 V-0 <ul style="list-style-type: none"> - Tipo: STD per applicazioni standard - Materiale: Poliammide + vetro nero RAL 9005 - Autoestinguenza: UL 94 V0 - Grado di protezione IP66 / IP67 - Pressacavo: Poliammide UL 94 V-0 	STD STD	8 - 14 (Pg16) 11 - 18 (Pg 21)	Hoods + cable glands <i>Custodie + pressacavi</i> 7908.6646.1 7908.6648.1

Hoods side entry - Polyamide <i>Custodie con ingresso orizzontale - Poliammide</i>	Type <i>Tipo</i>	Cable DIA <i>Cavo DIA</i>	Part No. <i>Codice</i>
 <p style="text-align: center;">Hood <i>Custodia</i></p>	STD STD	8 - 14 (Pg16) 11 - 18 (Pg 21)	Hoods <i>Custodie</i> 7808.6640.1 7808.6643.1
 <p style="text-align: center;">Cable gland <i>Pressacavo</i></p>	STD Plastic STD Plastic	8 - 14 (Pg16) 11 - 18 (Pg 21)	Cable glands <i>Pressacavi</i> 7000.6902.1 7000.6903.1
 <p style="text-align: center;">Hood + cable gland <i>Custodia + pressacavo</i></p> <p>  </p> <ul style="list-style-type: none"> - Type: STD for standard application - Material: Polyamide g.f. black RAL 9005 - Flammability: UL 94 V0 - IP66 / IP67 protection degree - Cable gland: Polyamide UL 94 V-0 <ul style="list-style-type: none"> - Tipo: STD per applicazioni standard - Materiale: Poliammide + vetro nero RAL 9005 - Autoestinguenza: UL 94 V0 - Grado di protezione IP66 / IP67 - Pressacavo: Poliammide UL 94 V-0 	STD STD	8 - 14 (Pg16) 11 - 18 (Pg 21)	Hoods + cable glands <i>Custodie + pressacavi</i> 7908.6640.1 7908.6643.1

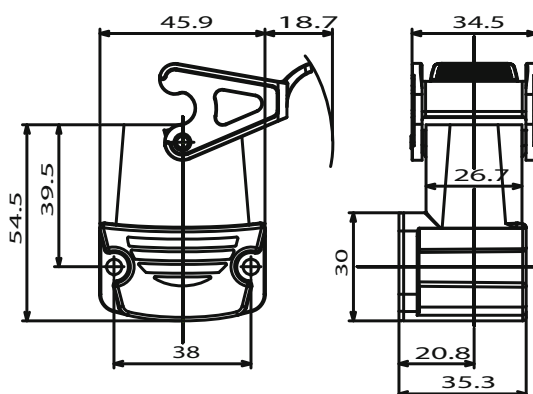
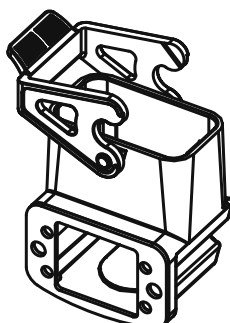
<p>Hoods top entry with lever - Polyamide <i>Custodie con ingresso verticale chiusura a leva - Poliammide</i></p>	<p>Type <i>Tipo</i></p>	<p>Cable DIA <i>Cavo DIA</i></p>	<p>Part No. <i>Codice</i></p>
 <p>Hoods <i>Custodia</i></p>	<p>STD STD</p>	<p>8 - 14 (Pg16) 11 - 18 (Pg 21)</p>	<p>Hoods <i>Custodie</i> 7808.6667.1 7808.6668.1</p>
 <p>Cable gland <i>Pressacavo</i></p>	<p>STD Plastic STD Plastic</p>	<p>8 - 14 (Pg16) 11 - 18 (Pg 21)</p>	<p>Cable glands <i>Pressacavi</i> 7000.6902.1 7000.6903.1</p>
 <p>Hood + cable gland <i>Custodia + pressacavo</i></p> <p>  </p> <ul style="list-style-type: none"> - Type: STD for standard application - Material: Polyamide g.f. black RAL 9005 - Flammability: UL 94 V0 - IP66 / IP67 protection degree - Cable gland: Polyamide UL 94 V-0 <ul style="list-style-type: none"> - Tipo: STD per applicazioni standard - Materiale: Poliammide + vetro nero RAL 9005 - Autoestinguenza: UL 94 V0 - Grado di protezione IP66 / IP67 - Pressacavo: Poliammide UL 94 V-0 	<p>STD STD</p>	<p>8 - 14 (Pg16) 11 - 18 (Pg 21)</p>	<p>Hoods + cable glands <i>Custodie + pressacavi</i> 7908.6667.1 7908.6668.1</p>

Right angle bulkhead mounting housing with 1 cable entry - Polyamide <i>Custodie a 90° da incasso con ingresso del cavo - Poliammide</i>	Type <i>Tipo</i>	Cable DIA <i>Cavo DIA</i>	Part No. <i>Codice</i>
  <p style="text-align: center;">Hood <i>Custodia</i></p>	STD STD	8 - 14 (Pg16) 11 - 18 (Pg 21)	<p style="text-align: center;">Hoods <i>Custodie</i></p> 7808.6663.1 7808.6664.1
  <p style="text-align: center;">Cable gland <i>Pressacavo</i></p>	STD Plastic STD Plastic	8 - 14 (Pg16) 11 - 18 (Pg 21)	<p style="text-align: center;">Cable glands <i>Pressacavi</i></p> 7000.6902.1 7000.6903.1
 <p style="text-align: center;">Hood + cable gland <i>Custodia + pressacavo</i></p> <div style="display: flex; align-items: center; gap: 10px;">      </div> <ul style="list-style-type: none"> - Type: STD for standard application - Material: Polyamide g.f. black RAL 9005 - Flammability: UL 94 V0 - IP66 / IP67 protection degree - Cable gland: Polyamide UL 94 V-0 <ul style="list-style-type: none"> - Tipo: STD per applicazioni standard - Materiale: Poliammide + vetro nero RAL 9005 - Autoestinguenza: UL 94 V0 - Grado di protezione IP66 / IP67 - Pressacavo: Poliammide UL 94 V-0 	STD STD	8 - 14 (Pg16) 11 - 18 (Pg 21)	<p style="text-align: center;">Hoods + cable glands <i>Custodie + pressacavi</i></p> 7908.6663.1 7908.6664.1

Right angle bulkhead mounting housing - Polyamide
Custodie a 90° da incasso - PoliammideType
TipoPart No.
Codice

STD

7808.6669.1



- **Type: STD for standard application**
- Material: Polyamide g.f. black RAL 9005
- Flammability: UL 94 V0
- IP66 / IP67 protection degree
- **Tipo: STD per applicazioni standard**
- Materiale: Poliammide + vetro nero RAL 9005
- Autoestinguenza: UL 94 V0
- Grado di protezione IP66 / IP67

