

PB/PG Series rain proof connectors

Products introduction PB/PG series circular rain proof connectors are used extensively in line connections between electrical equipment, various instruments and meters.

These connectors have the features of small volume, light weight, convenient application, high durability of plugging and unplugging, threaded coupling, good sealing performance, high conductivity and high dielectric strength.

They are made according to the standard SJ/T10496. They are for military and industrial applications. They can interchange with P series. PB/PG series are specially designed for customers use it in rain proof line.



Product Ordering

PB/PG 20 J 3 A P J
 1 2 3 4 5 6 7

1. Name of series: PB: means black color connectors, PG: means green color connectors
2. Shell size: 20, 28, 32, 40, 48
3. Type of contacts: J: Pin, K: Socket
4. Sign of contacts: mean type of contacts and number of contacts
5. Type: without mark: plug, A: normal receptacle
6. P: shield shell, Q: normal shell, R: angled shield shell, S: normal angled shell, the receptacle without shell: without mark.
7. J: Au plated, without J: Ag plated

Technical characteristics

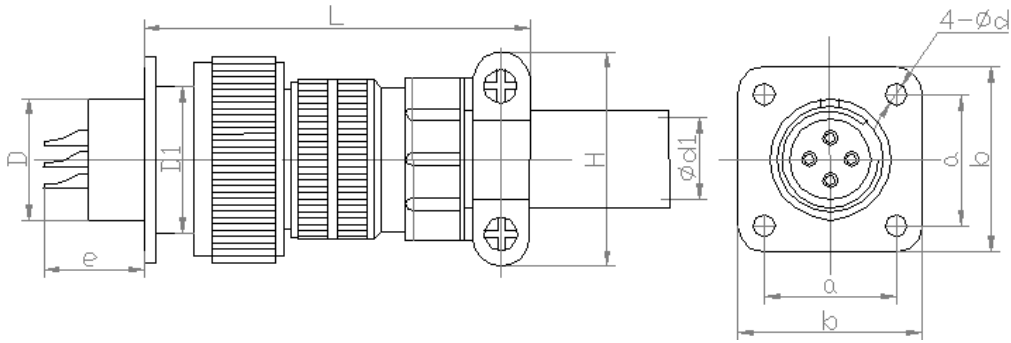
Temperature	Relative humidity	Atmosphere	Vibration	Shock	Endurance
-55°C~ +70°C	(92~96) % at 40±2°C	100KPa~2 Kpa	10~200Hz, 100m/s ²	250m/s ²	500 cycles

The sealing connectors temperature allow -55°C~+55°C only.

Contacts diameter	Current	Voltage (pressure)				Contact resistance
		100Kpa	8.5KPa	4.4KPa	2KPa	
Ø1.5mm	10A	500V	250V	175V	150V	≤2.5mΩ
Ø2.5mm	25A					≤1mΩ
Ø3.5mm	50A					≤0.5mΩ
Ø5.5mm	100A					≤0.3mΩ

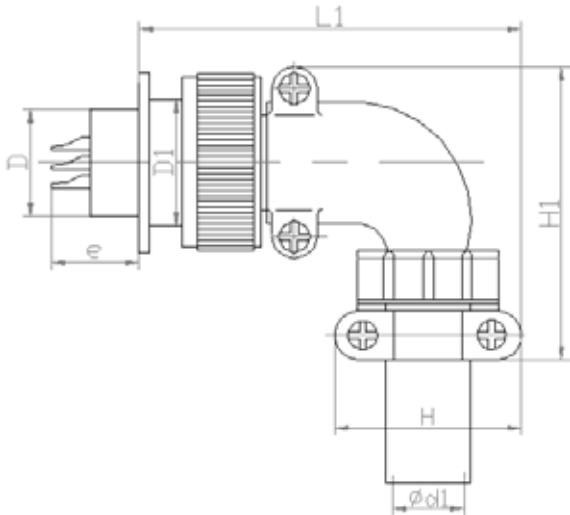
Environments	Voltage proof	Insulation resistance
Normal	1500V	≥500MΩ
Lower pressure(2KPa)	300V	
Moisture	1000V	≥2MΩ

Dimensions(mm)



Shell		a	b	d	d1	D	D1	H	L	H1	L1
20	A	22	30	3.2	14	20	M24X1.5	29	73	59	71
	M		32	4.5					75		75
28	A	30	38	3.5	21	28	M33X1.5	38	80	76	81
	M		40	4.5					82		85
32	A	32	40	3.5	21	32	M36X1.5	38	80	80	81
	M		44	4.5					84		85
40	A	40	48	3.5	24	40	M45X1.5	42	88	86	88
	M		52	4.5					90		92
48	A	48	58	4.5	32	48	M52X1.5	47	90	95	98
	M		60						92		102

Contact diameter		∅1.5	∅2.5	∅3.5	∅5.5
e	A	15	15	17	19
	M	14	14	16	41



Type	Number of contacts				Type	Number of contacts					
	Sum	∅1.5	∅2.5	∅3.5		Sum	∅1.5	∅2.5	∅3.5	∅5.5	
PB20 PG20					PB32	2	8		8		
	2	2		2	PB32	7	8	8			
	3	3		3	PB32	8	8	7	1		
	4	3	3		PB32	9	8	4	4		
	5	3	1	2	PB32	10	10	10			
	6	4		4	PB32	11	10	6	4		
	7	4	4		PB32	3	12	6	6		
	8	4	2	2	PB32	12	12	12			
	9	5		5	PB32	4	14	14			
	10	5	5		PB32	13	4		4		
	11	7	7		PB32	17	17	17			
PB28 PG28	1	4		2	2	PB40	1	3			3
	8	4	2	2		PB40	3	14	8	6	
	9	4		4		PB40	4	14	12	2	
	3	6	4		2	PB40	5	14	14		
	11	6	6			PG40	6	15	15		
	4	7		7		PG40	7	15	13	2	
	12	7	7			PG40	8	16	14	2	
	13	7	5	2		PG40	9	16	16		
	14	7	4	3		PB48	5	20	14	6	
	15	7	3	4		PG48	6	26	26		

The position of contacts PB/PG series same as P series.

