

Large Series, Metal System Push Lock Type

Description

Field Installable, 180°
Male connector with female pin

Figure



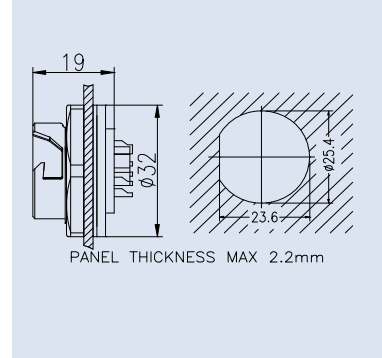
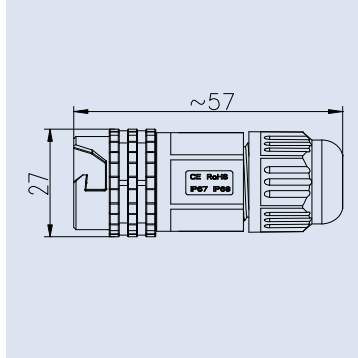
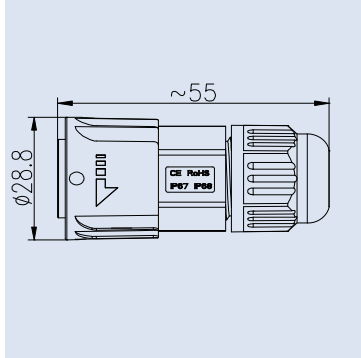
Field Installable, 180°
Female connector with male pin



Front Panel Mount
with Male Pin



Drawing



Part-No.	Male Connector (Female Pin)			Female Connector (Male Pin)			Front Panel Mount (Male Pin)	
	Contacts	Cable Range(mm)	Part Number	Contacts	Cable Range(mm)	Part Number	Contacts	Part Number
	2	4.5-6.5	24002231-81	2	4.5-6.5	24002331-81	2	24002535-81
		6.5-10.5	24002231-82		6.5-10.5	24002331-82		24002535-82
	3(20A)	4.5-6.5	24003231-81	3(20A)	4.5-6.5	24003331-81	3(20A)	24003535-81
		6.5-10.5	24003231-82		6.5-10.5	24003331-82		24003535-82
	3(50A)	4.5-6.5	24003231-83	3(50A)	4.5-6.5	24003331-83	3(50A)	24003535-82
		6.5-10.5	24003231-84		6.5-10.5	24003331-84		24003535-81
	9	4.5-6.5	24009231-81	9	4.5-6.5	24009331-81	9	24009535-81
		6.5-10.5	24009231-82		6.5-10.5	24009331-82		24009535-82
	18	4.5-6.5	24018231-81	18	4.5-6.5	24018331-81	18	24018535-81
		6.5-10.5	24018231-82		6.5-10.5	24018331-82		24018535-82
	3+9(FM)	4.5-6.5	24309231-81	3+9(MF)	4.5-6.5	24309331-81	3+9(MF)	24309535-81
		6.5-10.5	24309231-82		6.5-10.5	24309331-82		24309535-82
	3+11(FM)	4.5-6.5	24311231-81	3+11(MF)	4.5-6.5	24311331-81	3+11(MF)	24311535-81
		6.5-10.5	24311231-82		6.5-10.5	24311331-82		24311535-82

Specifications

Number of Contacts	2	3	3	9	18	3+9	3+11
Wire Gauge	12AWG/4.0mm ²			18AWG/0.75mm ²		12AWG+24AWG/2.5mm ² +0.2mm ²	
Cable Range/Panel Thickness	3.5-6.5mm, 6.5-10.6mm/ Push Lock Type Panel Thickness Max: 2.2mm						
Degree of Protection	IP67						
Mechanical Operation	>3000 mating cycles						
Lower-Upper Temperature	- 45°C ~ +105°C						
Rated Voltage	250V	250V	250V	125V	125V	250V	250V
Rated Current (40°C)	20A	20A	50A	5A	5A	20A+5A	20A+5A