

Large Series, Metal System Push Lock Type

Description

Field Installable, 180°
Male Connector with Male Pin

Figure



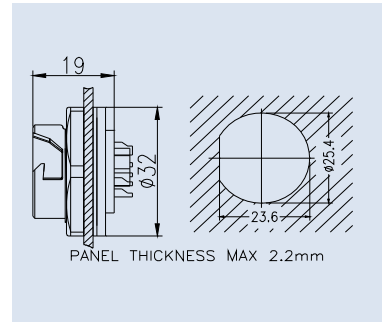
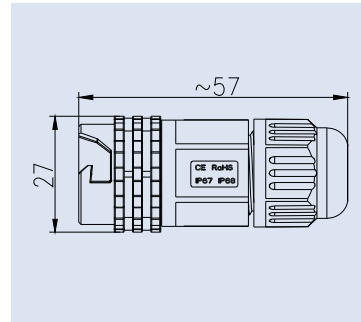
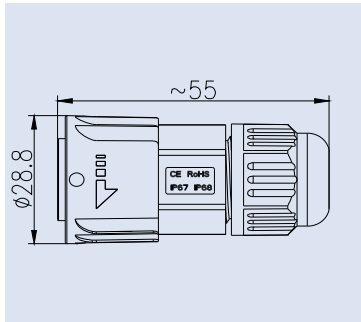
Field Installable, 180°
Female Connector with Female Pin



Front Panel Mount
with Female Pin



Drawing



Part-No.	Contacts	Cable Range(mm)	Part Number	Contacts	Cable Range(mm)	Part Number	Contacts	Part Number
	2	2	4.5-6.5	24002131-81	2	4.5-6.5	24002431-81	2
6.5-10.5			24002131-82	6.5-10.5		24002431-82	24002635-81	
3(20A)	3(20A)	4.5-6.5	24003131-81	3(20A)	4.5-6.5	24003431-81	3(20A)	24003635-81
		6.5-10.5	24003131-82		6.5-10.5	24003431-82		24003635-81
3(50A)	3(50A)	4.5-6.5	24003131-83	3(50A)	4.5-6.5	24003431-83	3(50A)	24003635-82
		6.5-10.5	24003131-84		6.5-10.5	24003431-84		24003635-82
9	9	4.5-6.5	24009131-81	9	4.5-6.5	24009431-81	9	24009635-81
		6.5-10.5	24009131-82		6.5-10.5	24009431-82		24009635-81
18	18	4.5-6.5	24018131-81	18	4.5-6.5	24018431-81	18	24018635-81
		6.5-10.5	24018131-82		6.5-10.5	24018431-82		24018635-81
3+9(MF)	3+9(MF)	4.5-6.5	24309131-81	3+9(FM)	4.5-6.5	24309431-81	3+9(FM)	24309635-81
		6.5-10.5	24309131-82		6.5-10.5	24309431-82		24309635-81
3+11(MF)	3+11(MF)	4.5-6.5	24311131-81	3+11(FM)	4.5-6.5	24311431-81	3+11(FM)	24311635-81
		6.5-10.5	24311131-82		6.5-10.5	24311431-82		24311635-81

Specifications

Number of Contacts	2	3	3	9	18	3+9	3+11
Wire Gauge	12AWG/4.0mm ²			18AWG/0.75mm ²		12AWG+24AWG/2.5mm ² +0.2mm ²	
Cable Range/Panel Thickness	3.5-6.5mm, 6.5-10.6mm/Push Lock Type Panel Thickness Max:2.2mm						
Degree of Protection	IP67						
Machanical Operation	>3000 mating cycles						
Lower-Upper Temperature	- 45°C ~ +105°C						
Rated Voltage	250V	250V	250V	125V	125V	250V	250V
Rated Current (40°C)	20A	20A	50A	5A	5A	20A+5A	20A+5A