

B系列连接器

B Series Connector



B系列连接器采用安全的推拉自锁系统，适用于高级传感器及精密电子仪器设备之间的电气连接，本产品体积小，多芯类型2-30芯，接点密度高；多种键位选择。外壳采用铜合金加工，表面镀铬或者镀镍，插针孔采用铜合金加工，表面镀金；绝缘体采用耐高温、具有良好绝缘性能的工程塑料注塑成型；护套采用软性工程塑料注塑成型，能很好的保护电缆。

B series connector using the push-pull self-locking safety system, applicable to high-level sensors and precision electronic instruments and equipment of the electrical between. the products are small, type of multi-core Core2-30, high contact density; select multiple keys. The use of copper alloy shell processing, surface plating chrome nickel, copper alloy pin jack used processing, the surface of gold-plated; insulators using high temperature. With good insulation properties of engineering plastics injection molding; sheath using soft plastic injection molding, cable can be well protected.

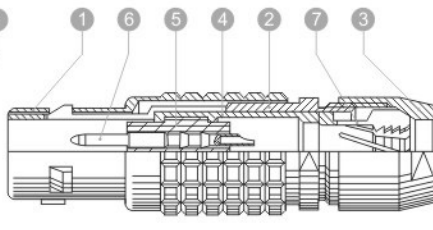
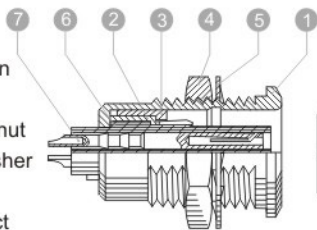
产品剖面图

Part Section Showing Internal Components

固定式插座 Fixed socket

直式插头 Straight plug

- ① 外壳 outer shell
- ② 接地环 earthing crown
- ③ 固定环 retaining ring
- ④ 六角螺母 hexagonal nut
- ⑤ 锁定垫圈 locking washer
- ⑥ 绝缘体 insulator
- ⑦ 母针芯 female contact



- ① 外壳 outer shell
- ② 锁定套筒 latch sleeve
- ③ 尾盖 collet nut
- ④ 绝缘体固定片 split insert carrier
- ⑤ 绝缘体 insulator
- ⑥ 公针芯 male contact
- ⑦ 线夹 collet

金属外壳型号

Metal housing models

技术特性

机械性能和环境因素

特性	参数	标准
插拔次数	>5000次	IEC60512-5试验9a
湿度	在60℃时最高打95%	
温度范围	-55℃, +250℃	
抗振动性能	10-2000Hz, 15g	IEC60512-4试验6d
抗冲击性能	100g, 6ms	IEC60512-4试验6c
盐雾腐蚀试验	>144h	IEC60512-6试验11f
防护等级 (插合时)	IP50	IEC60529
环境实验	55/175/21	IEC60068-1

电气性能

特性	参数	标准
屏蔽效果	在10MHz下	>75dB IEC60169-1-3
	在1GHz下	>40dB IEC60169-1-3

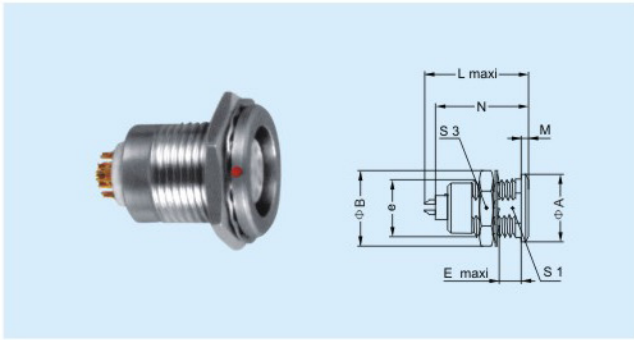
Technical Characteristics

Mechanical and Climatrical

Characteristics	Value	Standard
Endurance	>5000 cycles	IEC60512-5 test 9a
Humidity	up to 95% at 60%	
Temperature range	-55℃, +250℃	
Resistance to vibration	10-2000Hz, 15g	IEC60512-4 test 6d
Shock resistance	100g, 6ms	IEC60512-4 test 6c
Salt spray corrosion test	>144h	IEC60512-6 test 11f
Protection index (mated)	IP50	IEC60529
Climatrical category	55/175/21	IEC60068-1

Electrical

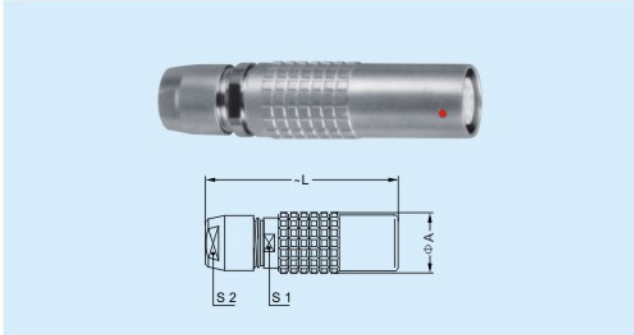
Characteristics	Value	Standard
Efficiency Shielding	at 10MHz	>75dB IEC60169-1-3
	at 1GHz	>40dB IEC60169-1-3



EGG

固定式插座c, 螺母固定, 定位销(G)或定位销(A...M和R)
Fixed socket, nut fixing, key(G) or keys(A...M and R)

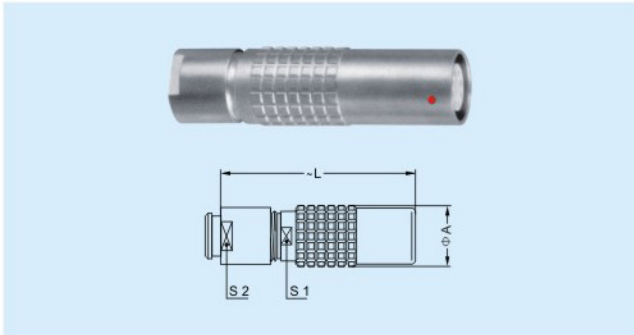
编号		尺寸 (mm)								
型号	系列	A	B	e	E	L	M	N	S1	S3
EGG	00	8	10.2	M7x0.5	6.0	15.5	1.0	13.7	6.3	9
EGG	0B	10	12.4	M9x0.6	7.0	20.7	1.2	19.1	8.2	11
EGG	1B	14	15.8	M12x1.0	7.5	23.0	1.5	21.1	10.5	14
EGG	2B	18	19.2	M15x1.0	8.5	26.7	1.8	24.6	13.5	17
EGG	3B	22	25.0	M18x1.0	11.5	30.7	2.0	28.1	16.5	22



PHG

浮动式插座, 定位销(G)或定位销(A...M和R), 电缆线夹
Free socket, key(G) or keys(A...M and R), cable collet

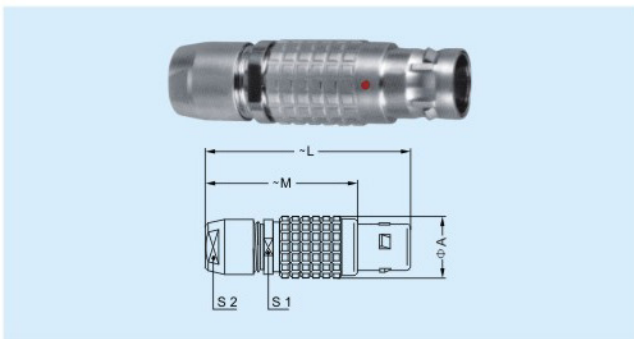
编号		尺寸 (mm)			
型号	系列	A	L	S1	S3
PHG	00	6.8	26.0	5.5	5
PHG	0B	9.5	35.5	8.0	7
PHG	1B	12.5	40.5	10.0	9
PHG	2B	16.5	47.0	13.0	12
PHG	3B	19.0	56.0	15.0	14



PHG

浮动式插座, 定位销(G)或定位销(A...M), 电缆线夹和带护套型的尾盖²⁾
Free socket, key(G) or keys(A...M), cable collect and nut for fitting a bend relief²⁾

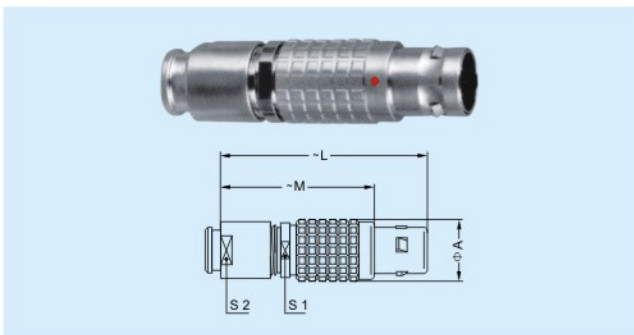
编号		尺寸 (mm)			
型号	系列	A	L	S1	S3
PHG	00	6.8	34.0	5.5	5
PHG	0B	9.5	34.5	8.0	7
PHG	1B	12.5	39.5	10.0	9
PHG	2B	16.5	46.0	13.0	12
PHG	3B	19.0	54.5	15.0	14



FGG

直式插座, 定位销(G)或定位销(A...M和R), 电缆线夹
Straight plug, key(G) or keys(A...M and R), cable collet

编号		尺寸 (mm)				
型号	系列	A	L	M	S1	S3
FGG	00	6.4	28.5	20.5	5.5	5
FGG	0B	9.5	36.0	26.0	8.0	7
FGG	1B	12.0	43.0	32.0	10.0	9
FGG	2B	15.0	50.0	38.0	13.0	12
FGG	3B	18.0	58.0	43.0	15.0	14



FGG

直式插座, 定位销(G)或定位销(A...M), 电缆线夹和带护套型的尾盖²⁾
Free socket, key(G) or keys(A...M), cable collect and nut for fitting a bend relief²⁾

编号		尺寸 (mm)				
型号	系列	A	L	M	S1	S3
FGG	00 ¹⁾	6.4	36.5	28.5	5.5	5
FGG	0B	9.5	35.0	25.0	8.0	7
FGG	1B	12.0	42.0	31.0	10.0	9
FGG	2B	15.0	49.0	37.0	13.0	12
FGG	3B	18.0	56.5	41.5	15.0	15