

# RJ45 Plug, Waterproof

## Field Installable

### Specification

Data  
 100 Base T, 100 Base T and 1000 Base T Networks  
 Cat 5E per TIA/EIA 568B  
 Class D per ISO/EIC 11801

Category: Cat.5, Cat.5E, Cat.6

Material  
 Connector body: ABS/PBT/PA66 UL94V-0 1/8"  
 Contact: Brass 4u"-20u" Gold plated

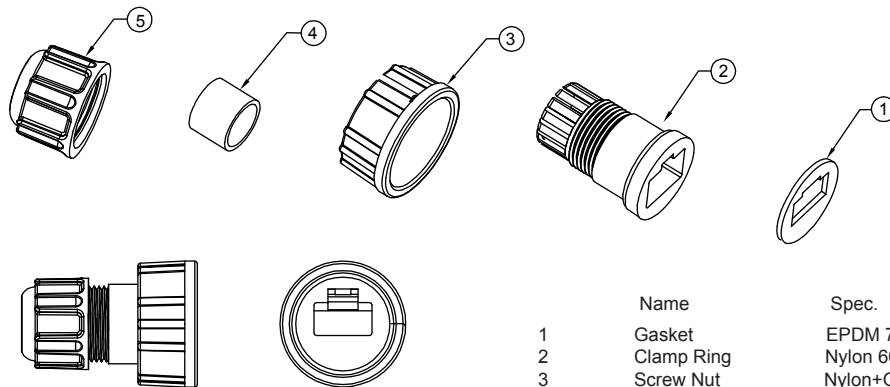
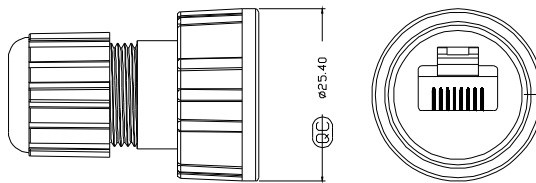
Temperature range: -20 — +80 C  
 Waterproof IP67  
 Durability 500 cycles  
 Flame test UL/CAS FT4  
 Thermal shock 5 cycles at -20 — +80 C / 5  
 Salt Spray 48 hrs / 48

**CGR RJ - 00 B MM A - S L 7 - 005**

1 2 3 4 5 6 7 8 9

	Description	Details	Code
1	Connector	RJ45	RJ
2	Category	No cable	00
3	Connector Type	Without SR	B
4	Connector Gender	Male Plug	MM
5	Assembly Style	Field Installable	A
6	Mating Style	Lock or Screw	L or S
7	Backs shell	Straight	L
8	Waterproof Rating	IP67	7
9	Version		005

### RJ45 Plug Field Installable/Lock Bayonet & Screw Type



	Name	Spec.	Color
1	Gasket	EPDM 70	Black
2	Clamp Ring	Nylon 66	Black
3	Screw Nut	Nylon+GF	Black
4	Seals	EPDM	Black
5	Sealing Nut	Nylon 66	Black