

### USB Series, Male Connector

#### Description

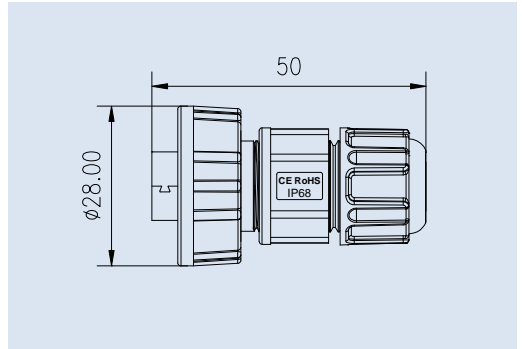
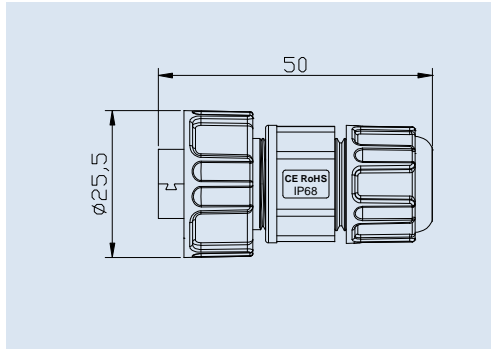
Field Installable, 180°  
Screw Type, Solder

Field Installable, 180°  
Lock Bayonet Type, Solder

#### Figure



#### Drawing



#### Part Number

Contacts	Cable Range(mm)	Part Number	Contacts	Cable Range(mm)	Part Number
4	3.5 - 6.8	34000000-01	4	3.5 - 6.8	34000000-02

#### Specifications

Number of Contacts	4	
Wire Gauge	0.204mm <sup>2</sup> (24AWG)	
Cable Range	3.5mm - 6.8mm	
Environmental Protection	IP68	IP67
Mechanical Life	1500 mating cycles	
Operating Temperature	- 45°C - +85°C	
Breakdown Voltage	≥ AC 500V / 1Minute	
Speed	480 Mbps	
Contact Resistance	≤ 30mΩ Max	
Insulation Resistance	≥ 1000MΩ Min	
Rated Current (40°C)	1.5 A	