

USB Series, Panel Mount

Description

Figure

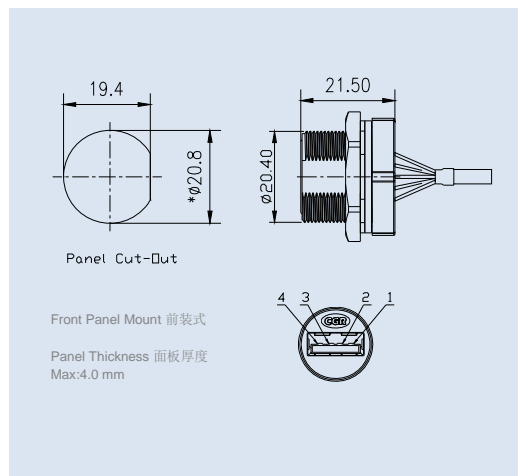
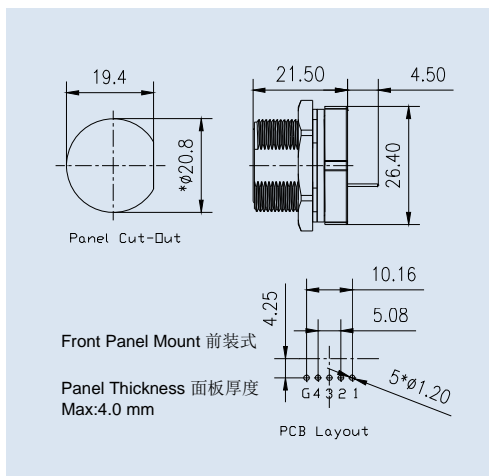
Panel Front Mount,
Screw Type, PCB



Panel Front Mount,
Screw Type, Solder



Drawing



Part Number

Contacts	Part Number	Contacts	Part Number
4	34000000-03	4	34000000-09-XXX

Specifications

Number of Contacts	4	
Environmental Protection	IP68	IP68
Mechanical Life	1500 mating cycles	
Operating Temperature	- 45°C - 85°C	
Breakdown Voltage	≥ AC 500V / 1Minute	
Speed	480 Mbps	
Contact Resistance	≤ 30mΩ Max	
Insulation Resistance	≥ 1000MΩ Min	
Rated Current (40°C)	1.5 A	

USB Series, Panel Mount

Description

Figure

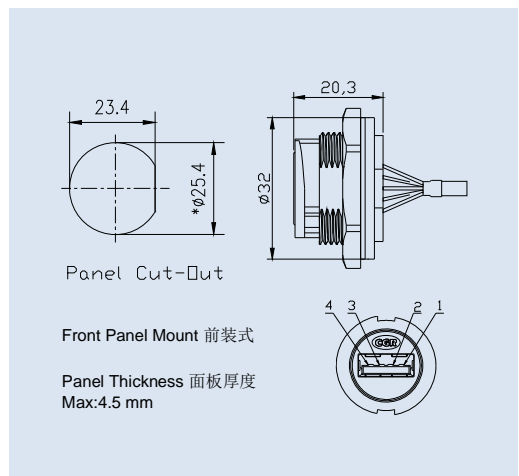
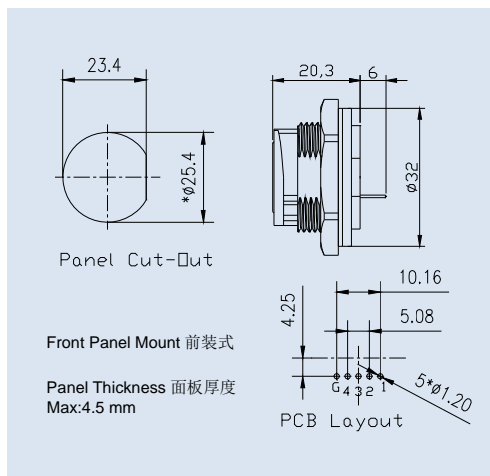
Panel Front Mount,
Lock Type, PCB



Panel Front Mount,
Lock Type, Solder



Drawing



Part Number

Contacts	Part Number	Contacts	Part Number
4	34000000-04	4	34000000-12-XXX

Specifications

Number of Contacts	4	
Environmental Protection	IP67	IP67
Mechanical Life	1500 mating cycles	
Operating Temperature	- 45°C - 85°C	
Breakdown Voltage	≥ AC 500V / 1Minute	
Speed	480 Mbps	
Contact Resistance	≤ 30mΩ Max	
Insulation Resistance	≥ 1000MΩ Min	
Rated Current (40°C)	1.5 A	

USB Series, Panel Mount

Description

Figure

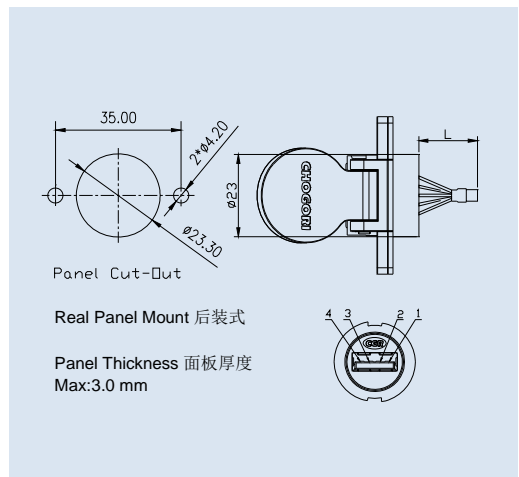
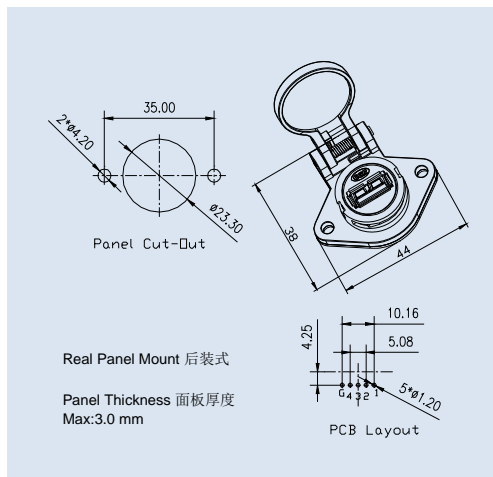
Panel Mount,
Lock Type, PCB



Panel Mount,
Lock Type, Solder



Drawing



Part Number

Contacts	Part Number	Contacts	Part Number
4	34000000-05	4	34000000-08-XXX

Specifications

Number of Contacts	4	
Environmental Protection	IP67	IP67
Mechanical Life	1500 mating cycles	
Operating Temperature	- 45°C - 85°C	
Breakdown Voltage	≥ AC 500V / 1Minute	
Speed	480 Mbps	
Contact Resistance	≤ 30mΩ Max	
Insulation Resistance	≥ 1000MΩ Min	
Rated Current (40°C)	1.5 A	